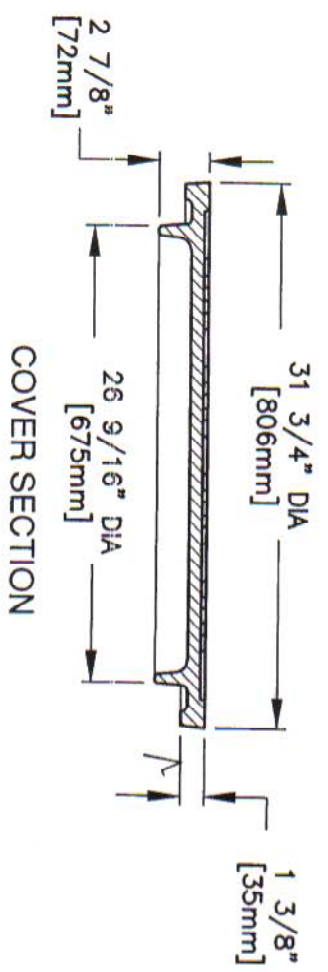
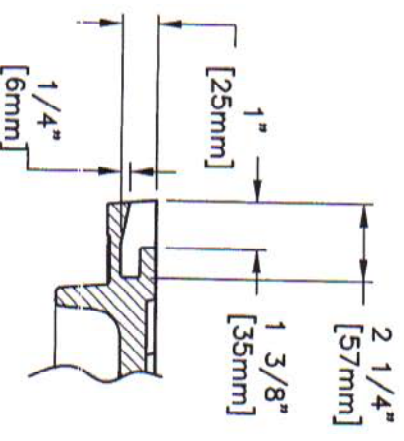


COVER BOTTOM



COVER SECTION



PICKHOLE DETAIL

✓ MACHINED SURFACE

EAST JORDAN IRON WORKS, INC. P.O. BOX 439 EAST JORDAN, MI. 49727 1-800-874-4100 FAX 231-536-4458	
DRAWN DEW	DATE 11/09/01
APPROVED	DATE
1230A1 MANHOLE COVER	
PRODUCT NO.	
00123027	
CATALOG NO.	
1230A1	
REF. PRODUCT DRAWING	
00123023	
EST. WT.	
COVER: 225 LBS 102kg	
OPEN AREA	
N/A	
MAT'L SPEC.	
COVER - GRAY IRON	
ASTM A48 CL35	
LOAD RATING	
HEAVY DUTY	