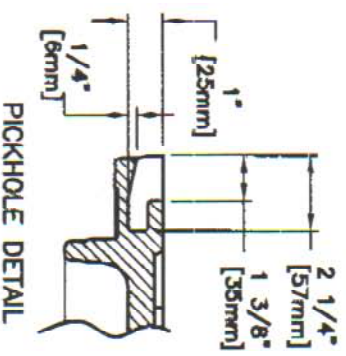
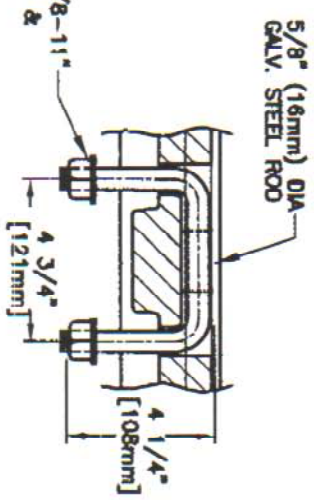


COVER SECTION



PICKHOLE DETAIL

- 5/8-11" UNC THD.
- (2) DROP HANDLE W/ 5/8-11"
- SS NYLON HEX NUTS &
- (4) NARROW WASHERS



DROP HANDLE DETAIL

MACHINED SURFACE

<p>EAST JORDAN IRON WORKS, INC. P.O. BOX 439 EAST JORDAN, MI. 49727 1-800-874-4100 FAX 231-536-4458</p>	
<p>DRAWN SBB</p>	<p>DATE 08/08/03</p>
<p>APPROVED</p>	<p>DATE</p>
<p>1230A1 MANHOLE COVER</p>	
<p>PRODUCT NO. 00123023</p>	
<p>CATALOG NO. 1230A1</p>	
<p>REF. PRODUCT DRAWING 00123023</p>	
<p>EST. WT. COVER: 230 LBS 104kg</p>	
<p>OPEN AREA N/A</p>	
<p>MAT'L SPEC. COVER - GRAY IRON ASTM A48 CL35B</p>	
<p>LOAD RATING HEAVY DUTY</p>	