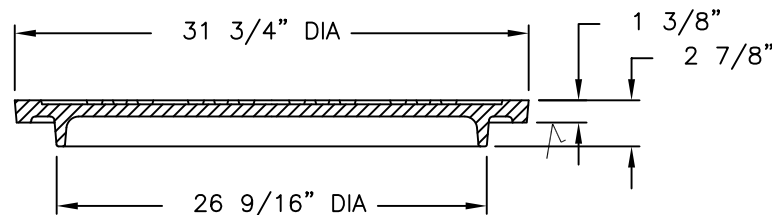
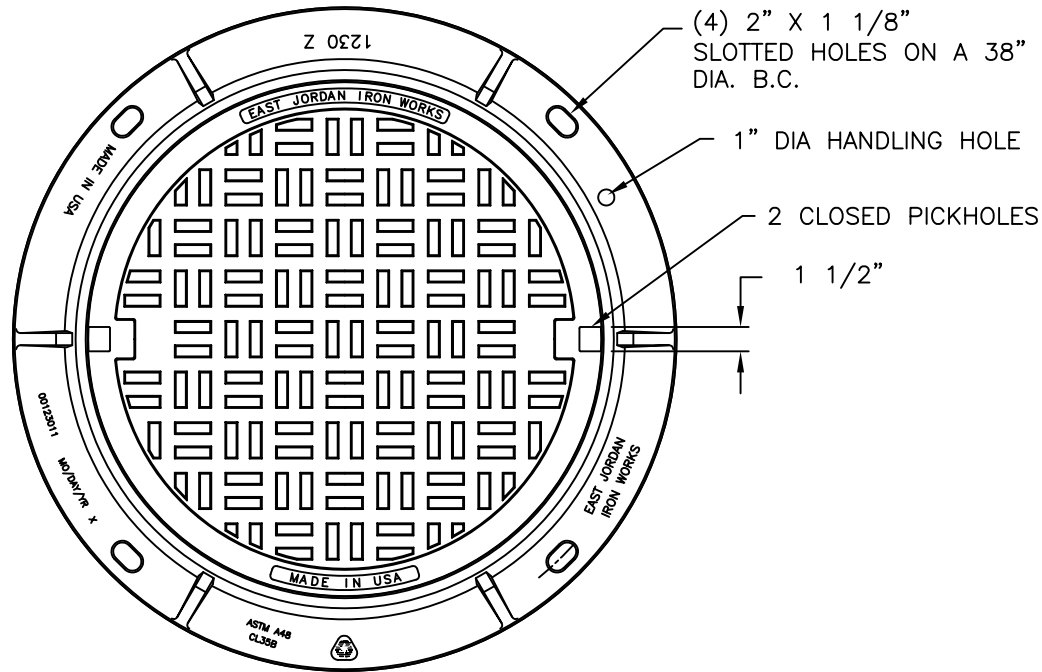
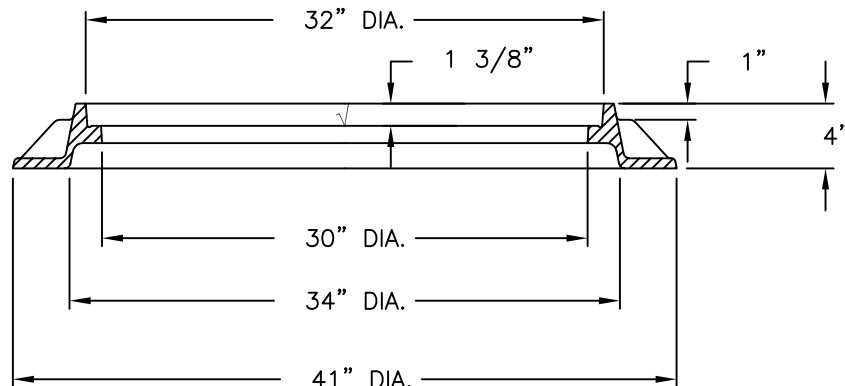


1230A1 Z Assembly



COVER SECTION



FRAME SECTION

Product Number

00123025A01

Design Features

- Materials
- Frame
- Gray Iron (CL35)
- Cover
- Gray Iron (CL35)

- Design Load
- Heavy Duty
- Open Area
- n/a
- Coating
- Undipped
- √ Designates Machined Surface

Certification

- ASTM A48
-
-
- Country of Origin: USA

Major Components

00123011
00123025

Drawing Revision

02/24/2009 Designer: GAD
06/01/2012 Revised By: SDC

Disclaimer

Weights (lbs./kg) dimensions (inches/mm) and drawings provided for your guidance. We reserve the right to modify specifications without prior notice.

CONFIDENTIAL: This drawing is the property of EJ GROUP, Inc., and embodies confidential information, registered marks, patents, trade secret information, and/or know how that is the property of EJ GROUP, Inc. Copyright © 2012 EJ GROUP, Inc. All rights reserved.

Contact

800 626 4653
ejco.com