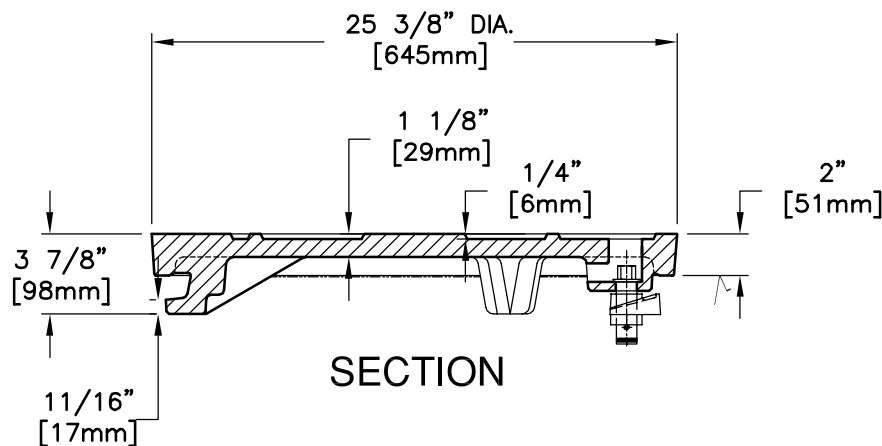
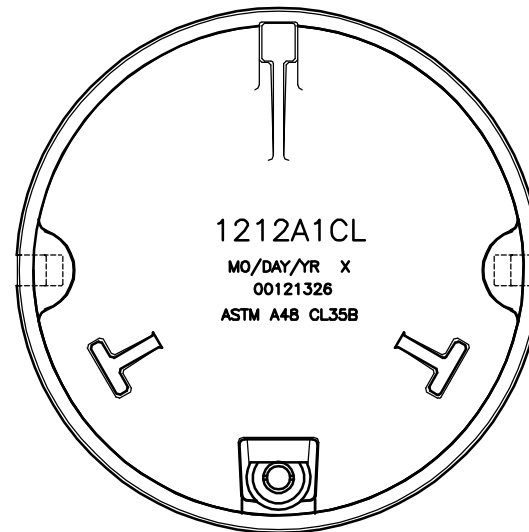
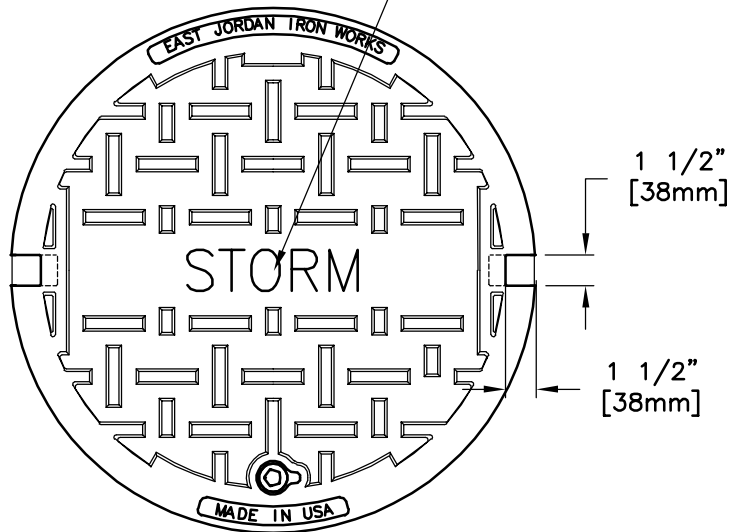
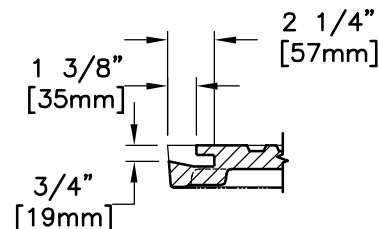


2" [51mm] (RAISED LETTERS
RECESSED FLUSH)

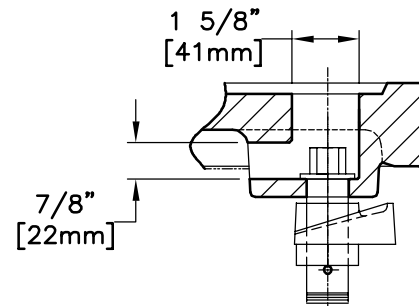


SECTION

COVER W/O CAM IS 121326



PICKHOLE DETAIL



CAM LOCK

√ MACHINED SURFACE

EAST JORDAN
IRON WORKS, INC.
P.O. BOX 439
EAST JORDAN, MI. 49727
1-800-874-4100
FAX 231-536-4458

| | |
|--------------|------------------|
| DRAWN DEW | DATE 01/07/04 |
| APPROVED | DATE |

MANHOLE COVER

PRODUCT NO.

00121327

CATALOG NO.

1212A1CL

REF. PRODUCT DRAWING

00121274

EST. WT.

COVER: 155 LBS 70kg

OPEN AREA

N/A

MAT'L SPEC.
COVER - GRAY IRON
ASTM A48 CL35B

LOAD RATING

HEAVY DUTY