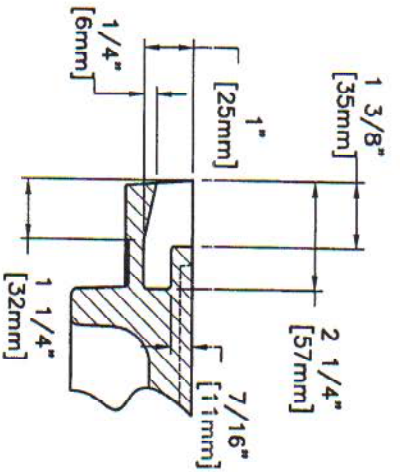


COVER SECTION



MACHINED SURFACE

EAST JORDAN IRON WORKS, INC. P.O. BOX 439 EAST JORDAN, MI. 49727 1-800-874-4100 FAX 231-536-4458	
DRAWN SBB	DATE 03/19/01
APPROVED	DATE
MANHOLE COVER	
PRODUCT NO. 00120321	
CATALOG NO. 1203A	
REF. PRODUCT DRAWING 00120321	
EST. WT.	
COVER: 155 LBS 70kg	
OPEN AREA N/A	
MATERIAL SPEC. COVER - GRAY IRON ASTM A48 CL35	
LOAD RATING HEAVY DUTY	