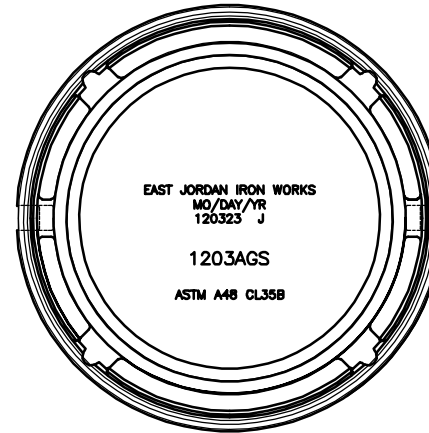
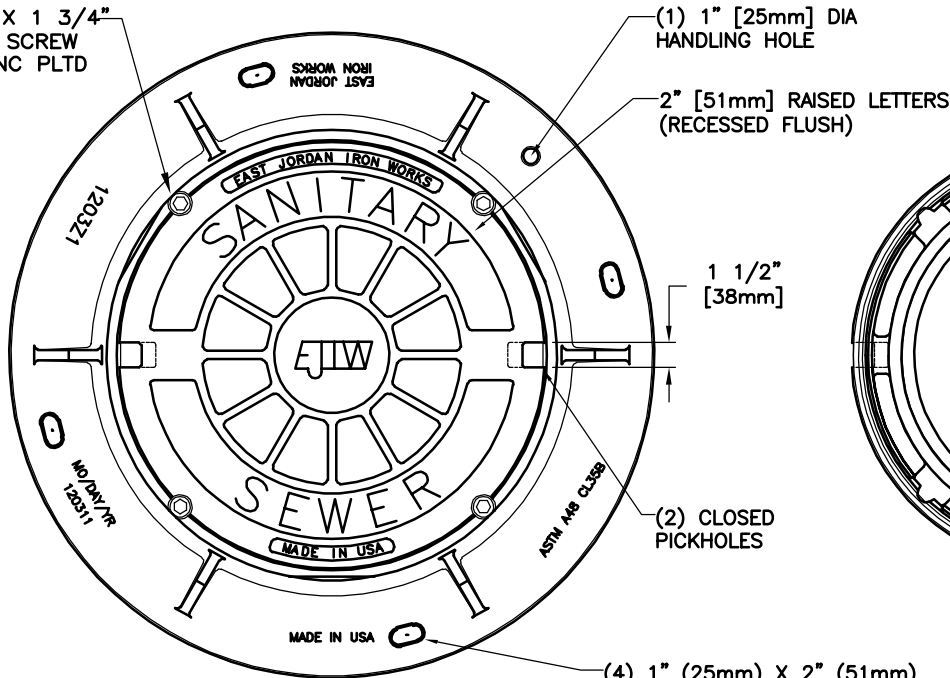
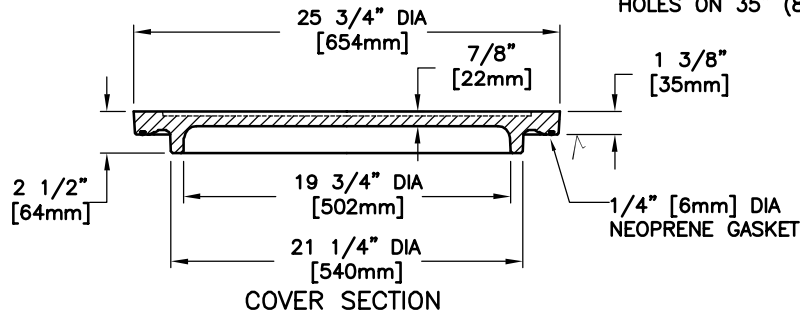


(4) 1/2-13 X 1 3/4"
HEX SS CAP SCREW
W./ 1/2" ZINC PLTD
WASHERS

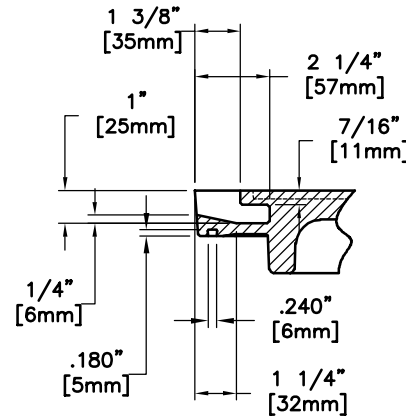


BOTTOM VIEW

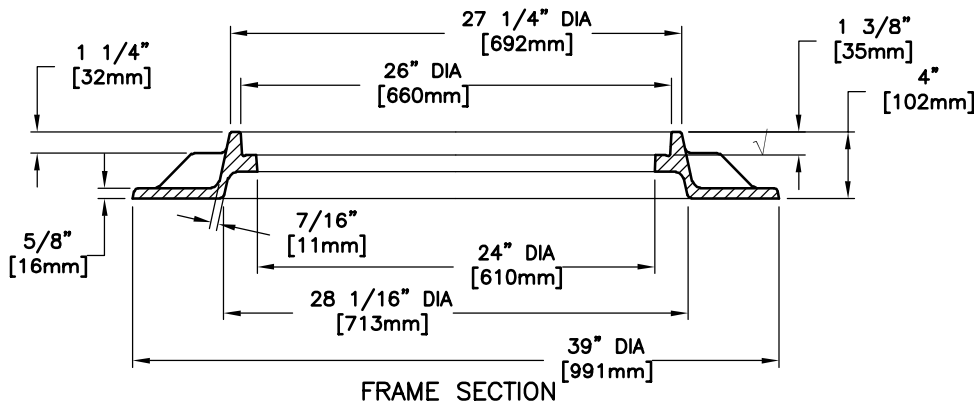
(4) 1" (25mm) X 2" (51mm)
HOLES ON 35" (89mm) DIA B.C.



COVER SECTION



PICKHOLE & GROOVE
DETAIL



FRAME SECTION

√ MACHINED SURFACE

EAST JORDAN
IRON WORKS, INC.
P.O. BOX 439
EAST JORDAN, MI. 49727
1-800-874-4100
FAX 231-536-4458

DRAWN
SBB

DATE
07/29/04

APPROVED

DATE

MANHOLE
ASSEMBLY

PRODUCT NO.

00120302

CATALOG NO.

1203A
1203Z1

REF. PRODUCT DRAWING

00120321
00120311

EST. WT.

COVER: 133 LBS 60kg

FRAME: 215 LBS 98kg

UNIT: 348 LBS 158kg

OPEN AREA

N/A

MAT'L SPEC.

COVER - GRAY IRON

ASTM A48 CL35B

FRAME - GRAY IRON

ASTM A48 CL35B

LOAD RATING

HEAVY DUTY