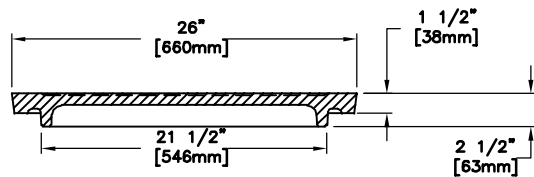
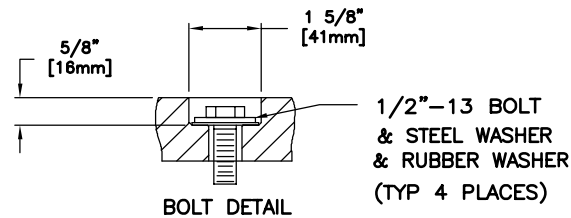


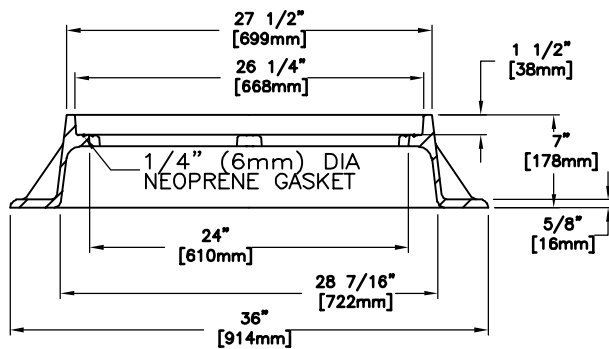
BOTTOM VIEW



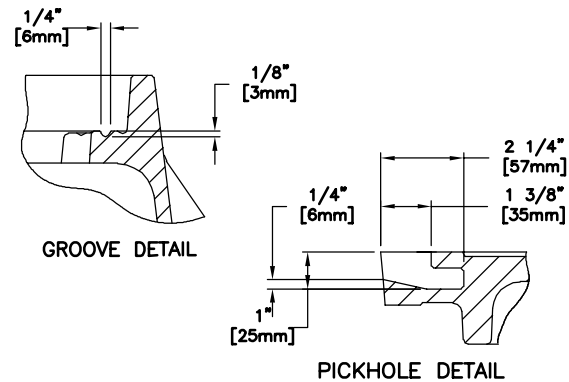
COVER SECTION



BOLT DETAIL



FRAME SECTION



EAST JORDAN IRON WORKS, INC.
P.O. BOX 439
EAST JORDAN, MI. 49727
1-800-874-4100
FAX 231-536-4458

DRAWN TCL	DATE 11/04/04
--------------	------------------

APPROVED	DATE
----------	------

WATER TIGHT ASSEMBLY

PRODUCT NO.

104596

CATALOG NO.

1040APT
1045ZPT

PRODUCT NUMBERS

00104512
00104296

EST. WT.

COVER: 150 LBS 68kg
FRAME: 156 LBS 71kg
UNIT: 306 LBS 139kg

OPEN AREA

N/A

MAT'L SPEC.

COVER - GRAY IRON
ASTM A48 CL35B
FRAME - GRAY IRON
ASTM A48 CL35B

LOAD RATING

HEAVY DUTY