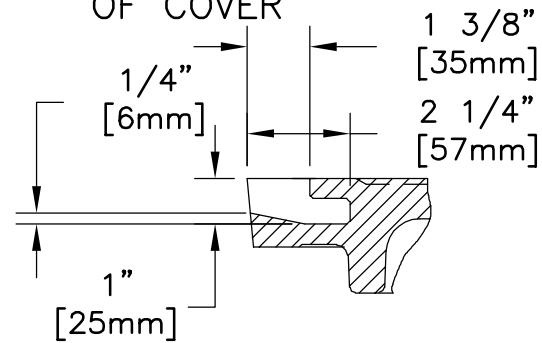


COVER SECTION

BOTTOM VIEW
OF COVER



PICKHOLE DETAIL

1040 A
EAST JORDAN IRON WORKS
MADE IN USA
MO/DA/YR X
00104127
ASTM A48 CL35B

EJIW EAST JORDAN
IRON WORKS EST. 1883

800-626-4653
www.ejiw.com
MADE IN USA

PRODUCT NUMBER

00104127

CATALOG NUMBER

1040A

MANHOLE COVER

LOAD RATING

HEAVY DUTY

COATING

DIPPED

ESTIMATED WEIGHT

COVER: 145 LBS 66kg

MATERIAL SPECIFICATION

COVER - GRAY IRON
ASTM A48 CL35B

OPEN AREA

N/A

√ DESIGNATES MACHINED
SURFACE

DRAWN

TCL

DATE

03/25/02

LAST REVISED

GAD

DATE

02/06/07

REFERENCE INFORMATION

00104127