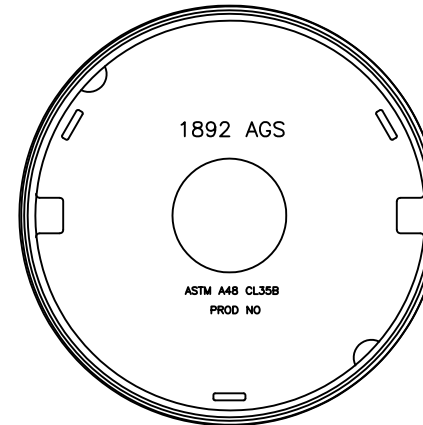
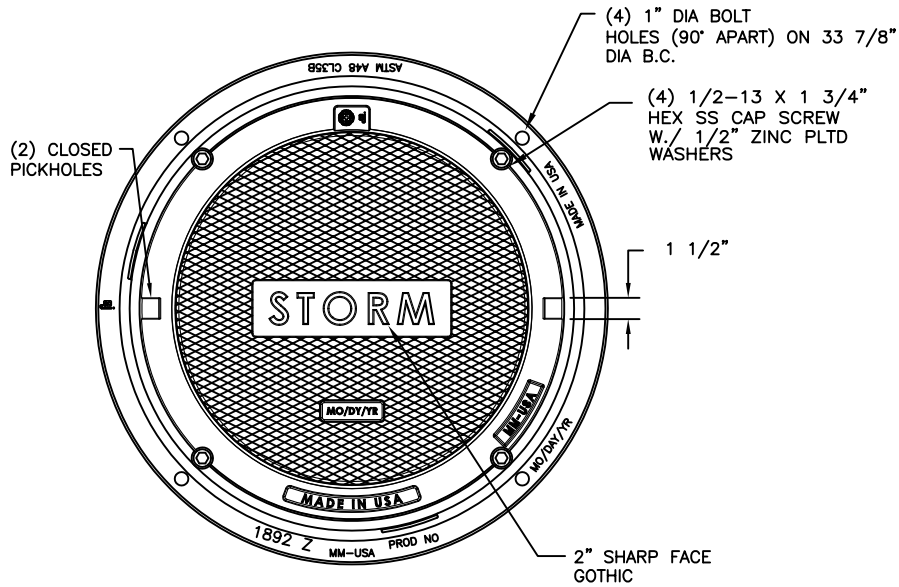
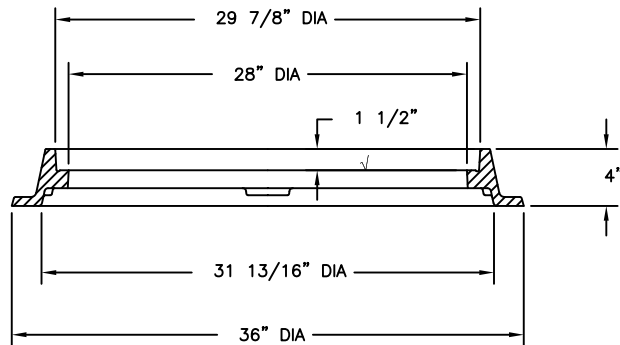


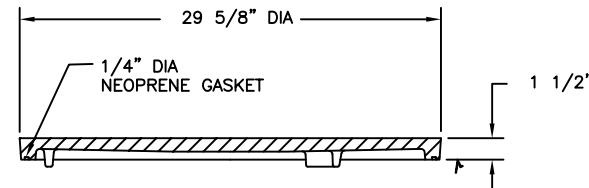
1892Z 1892AGS Assembly



BOTTOM VIEW



FRAME SECTION



COVER SECTION

Product Number

00189225B01

Design Features

- Materials
 - Frame Gray Iron (CL35B)
 - Cover Gray Iron (CL35B)

- Design Load Heavy Duty

- Open Area n/a

- Coating Undipped

- √ Designates Machined Surface

Certification

- ASTM A48

-

-

- Country of Origin: USA

Major Components

00189211

00189225

Drawing Revision

7/6/2010 Designer: DEW

8/10/2013 Revised By: DJH

Disclaimer

Weights (lbs./kg) dimensions (inches/mm) and drawings provided for your guidance. We reserve the right to modify specifications without prior notice.

CONFIDENTIAL: This drawing is the property of EJ GROUP, Inc., and embodies confidential information, registered marks, patents, trade secret information, and/or know how that is the property of EJ GROUP, Inc. Copyright © 2012 EJ GROUP, Inc. All rights reserved.

Contact

800 626 4653

ejco.com