

EAST JORDAN  
IRON WORKS, INC.  
P.O. BOX 439  
EAST JORDAN, MI. 49727  
1-800-874-4100  
FAX 231-536-4458

DRAWN SBB	DATE 04/21/03
--------------	------------------

APPROVED	DATE
----------	------

MANHOLE COVER

PRODUCT NO.

**00183529**

CATALOG NO.

1835B

REF. PRODUCT DRAWING

183529

EST. WT.

COVER: 182 LBS 83kg

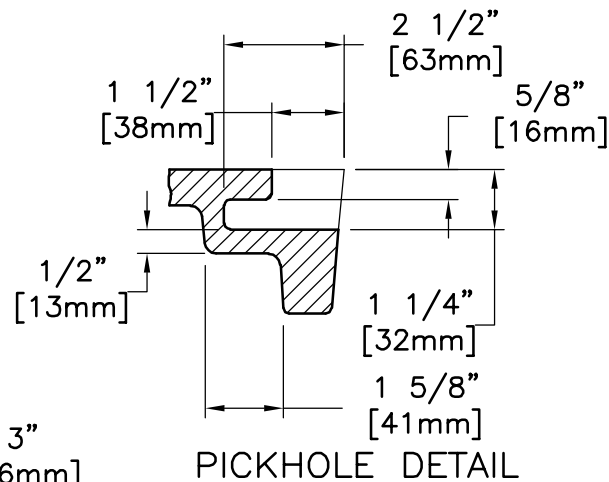
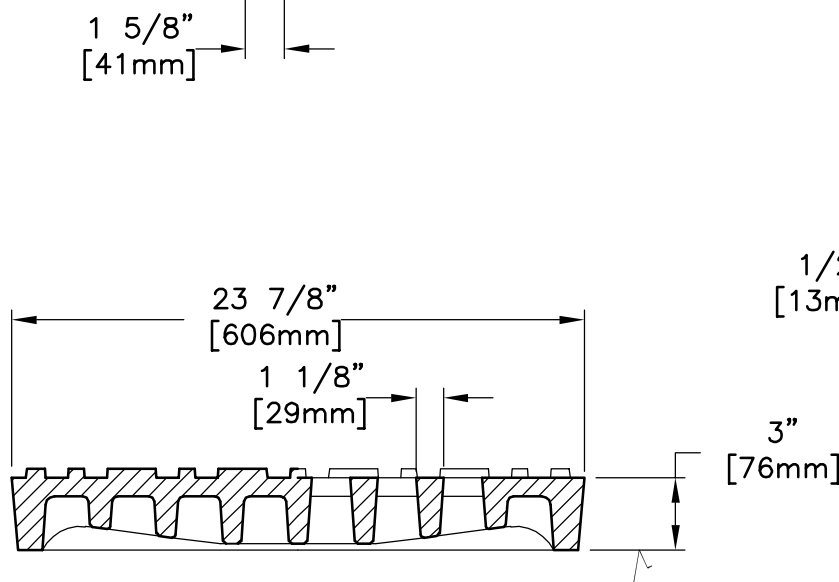
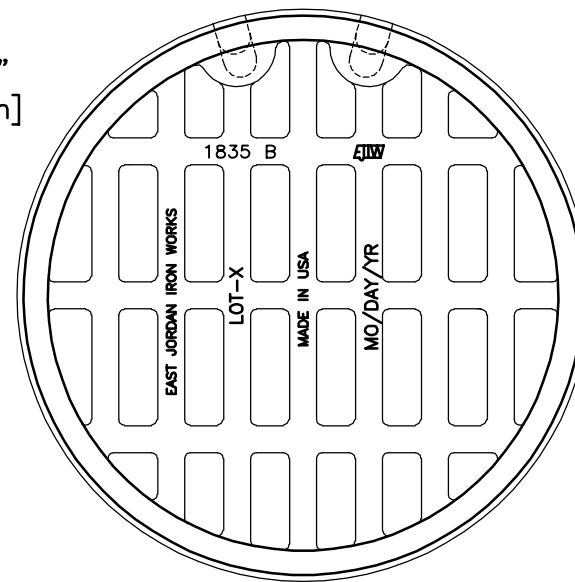
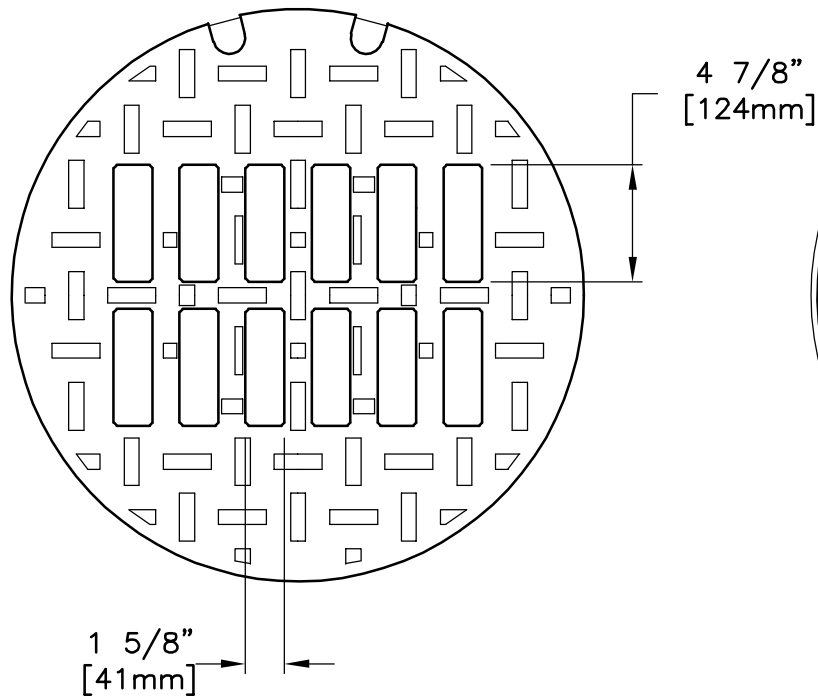
OPEN AREA

N/A

MAT'L SPEC.  
COVER - GRAY IRON  
ASTM A48 CL35

LOAD RATING

HEAVY DUTY



√ MACHINED SURFACE