

1585AVH Cover



Product Number

00158523

Design Features

- Materials
Gray Iron (CL35B)
- Design Load
Heavy Duty
- Open Area
n/a
- Coating
Dipped
- √ Designates Machined Surface

Certification

- ASTM A48
-
-
- Country of Origin: USA

Drawing Revision

03/13/2001 Designer: TCL
11/1/2012 Revised By: SDC

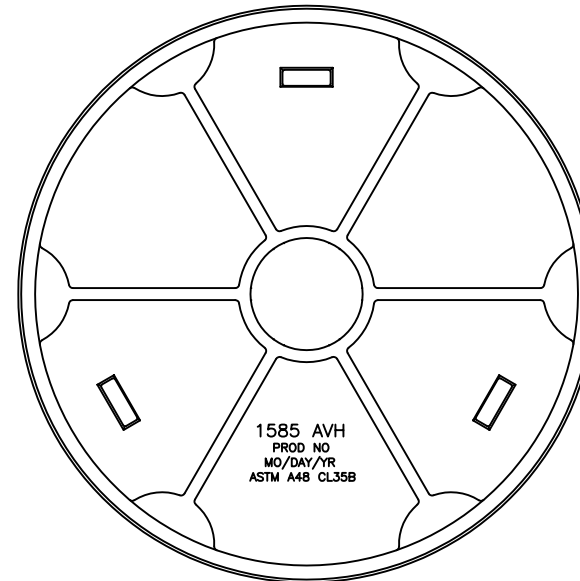
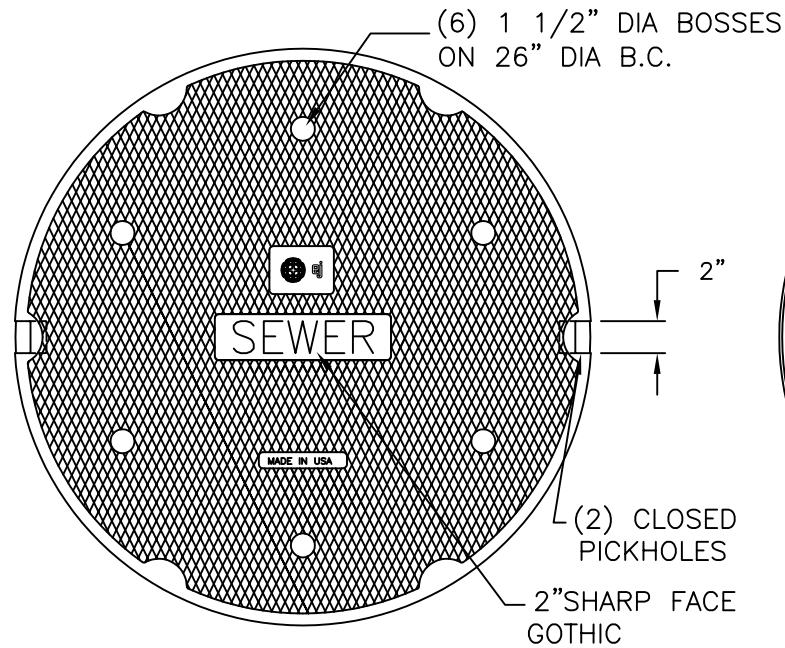
Disclaimer

Weights (lbs./kg) dimensions (inches/mm) and drawings provided for your guidance. We reserve the right to modify specifications without prior notice.

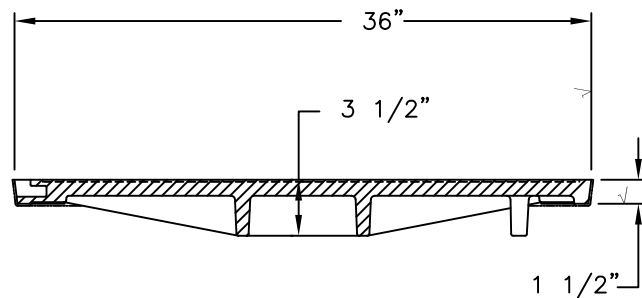
CONFIDENTIAL: This drawing is the property of EJ GROUP, Inc., and embodies confidential information, registered marks, patents, trade secret information, and/or know how that is the property of EJ GROUP, Inc. Copyright © 2011 EJ GROUP, Inc. All rights reserved.

Contact

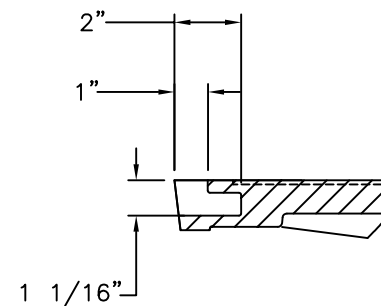
800 626 4653
ejco.com



BOTTOM VIEW



COVER SECTION



PICKHOLE
DETAIL