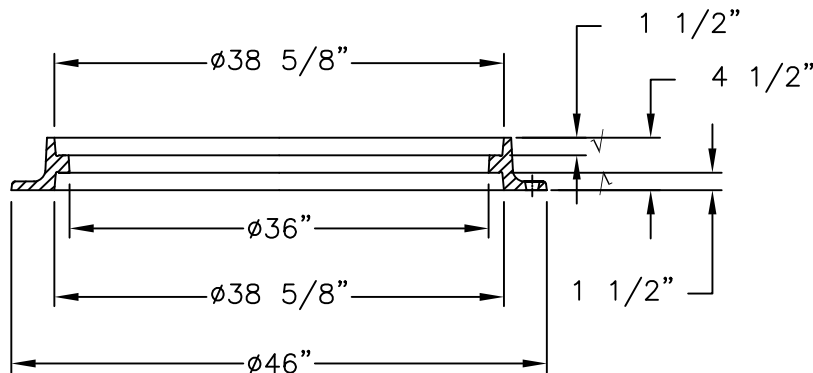
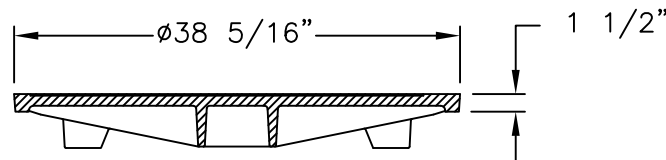
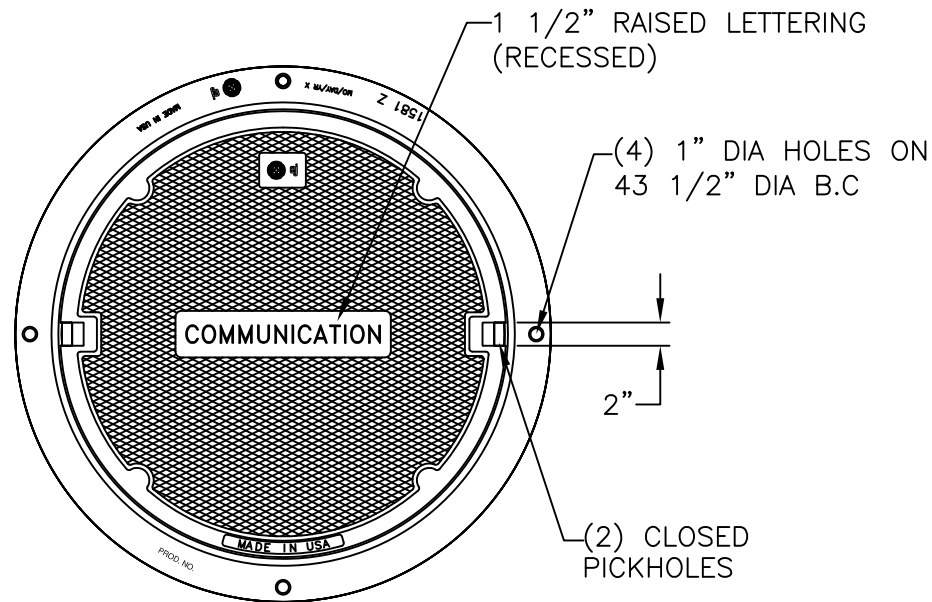


# 1580A 1581Z Assembly



**SECTION VIEW**

## Product Number

**00158262**

## Design Features

- Materials
  - Cover Gray Iron (CL35B)
  - Frame Gray Iron (CL35B)

- Design Load Heavy Duty

- Open Area n/a

- Coating Undipped

- √ Designates Machined Surface

## Certification

- ASTM A48
- 
- Country of Origin: USA

## Major Components

00157934  
00158111

## Drawing Revision

10/30/2006 Designer: TCL  
07/17/2014 Revised By: DVD

## Disclaimer

Weights (lbs./kg) dimensions (inches/mm) and drawings provided for your guidance. We reserve the right to modify specifications without prior notice.

CONFIDENTIAL: This drawing is the property of EJ GROUP, Inc., and embodies confidential information, registered marks, patents, trade secret information, and/or know how that is the property of EJ GROUP, Inc. Copyright © 2012 EJ GROUP, Inc. All rights reserved.

## Contact

800 626 4653  
ejco.com