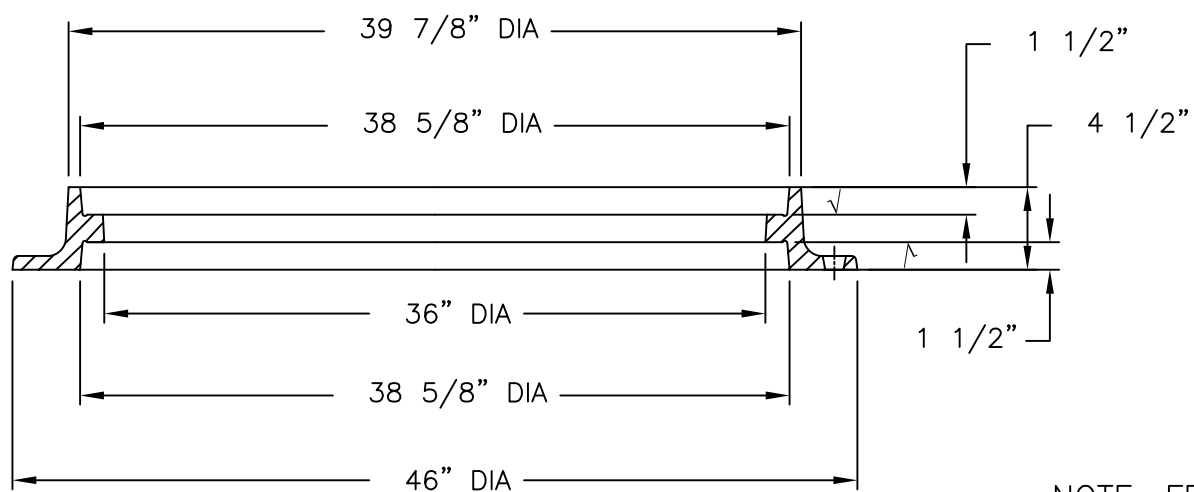


(4) 1" DIA HOLES ON
43 1/2"
DIA BOLT CIRCLE.



FRAME SECTION

NOTE: FRAME IS REVERSIBLE.

EJIW EAST JORDAN IRON WORKS EST.1883 800-626-4653 www.ejiw.com MADE IN USA	
PRODUCT NUMBER 00158110	
CATALOG NUMBER 1581Z	
1581 FRAME	
LOAD RATING HEAVY DUTY	
COATING DIPPED	
ESTIMATED WEIGHT FRAME: 247 LBS	
MATERIAL SPECIFICATION FRAME - GRAY IRON ASTM A48 CL35B	
OPEN AREA N/A	
√ DESIGNATES MACHINED SURFACE	
DRAWN SBB	DATE 09/25/03
LAST REVISED KMB	DATE 07/20/07
REFERENCE INFORMATION 00158110.1C 00158110.1D	

CONFIDENTIAL: This drawing is the property of East Jordan Iron Works, Inc. and embodies confidential information, trade secret information, and/or know how that is the property of East Jordan Iron Works, Inc. © Copyright 2007 East Jordan Iron Works, Inc.