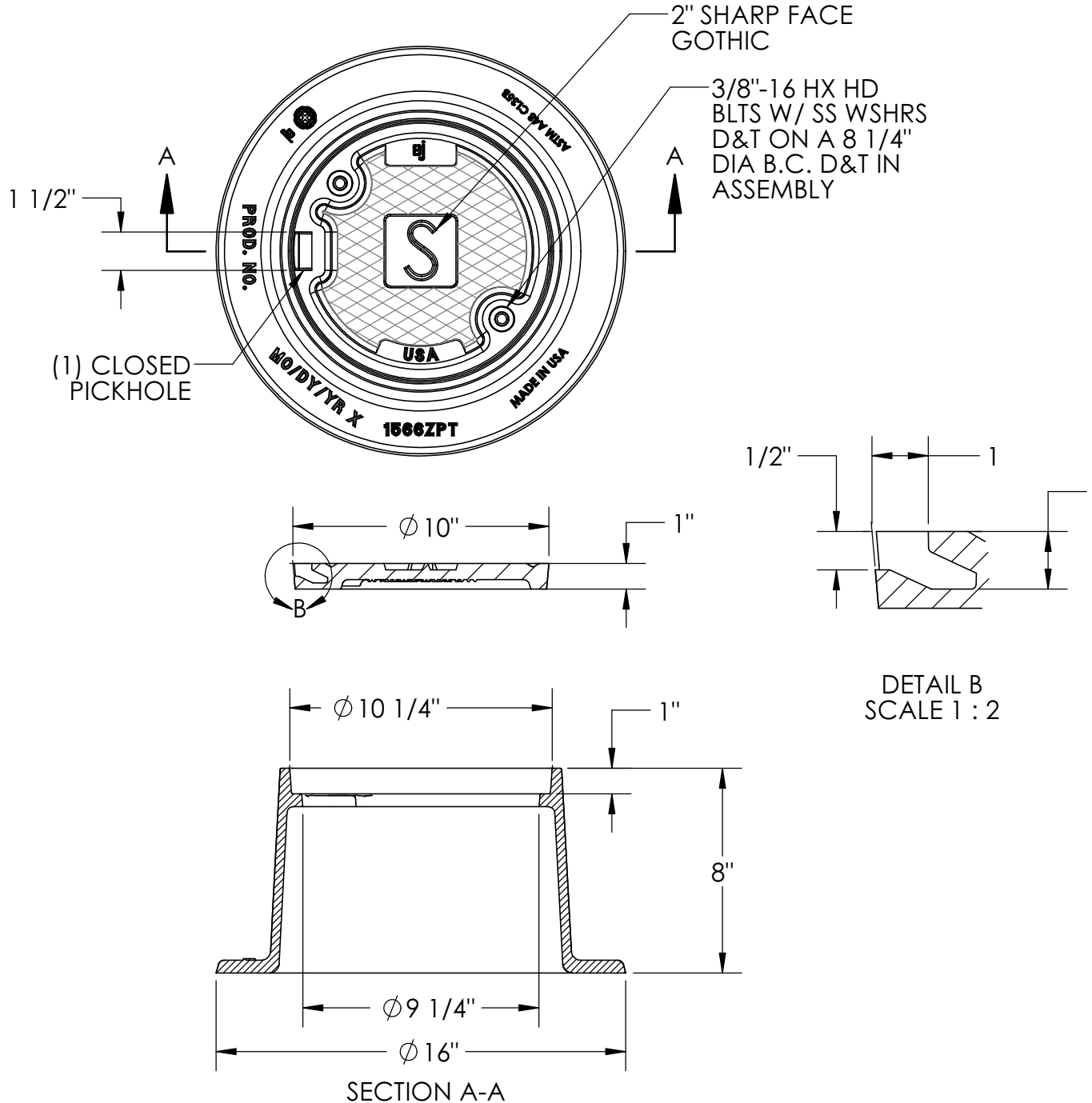


1566ZPT APT Assembly



Product Number

00156644B01

Design Features

- Materials
 - Cleanout/Monument Box Frame
Gray Iron (CL35B)
 - Cleanout/Monument Box Cover
Gray Iron (CL35B)

- Design Load
Heavy Duty

- Open Area
n/a

- Coating
Undipped

- √ Designates Machined Surface

Certification

- ASTM A48

-

-

- Country of Origin: USA

Major Components

00156613

00156644

Drawing Revision

4/5/2017 Designer: DAE
Revised By:

Disclaimer

Weights (lbs/kg), dimensions (inches/mm) and drawings provided for your guidance. We reserve the right to modify specifications without prior notice.

CONFIDENTIAL: This drawing is the property of EJ Group, Inc. and embodies confidential information, registered marks, patents, trade secret information, and/or know-how that is the property of EJ Group, Inc. Copyright © 2013 EJ Group, Inc. All rights reserved.

Contact

800 626 4653
ejco.com