

EAST JORDAN
IRON WORKS, INC.
P.O. BOX 439
EAST JORDAN, MI. 49727
1-800-874-4100
FAX 231-536-4458

DRAWN TCL	DATE 03/29/03
APPROVED	DATE

**SPECIAL LETTERED
COVER**

PRODUCT NO.
00148025
(DIPPED)

CATALOG NO.
1480AHD

REF. PRODUCT DRAWING
00148126

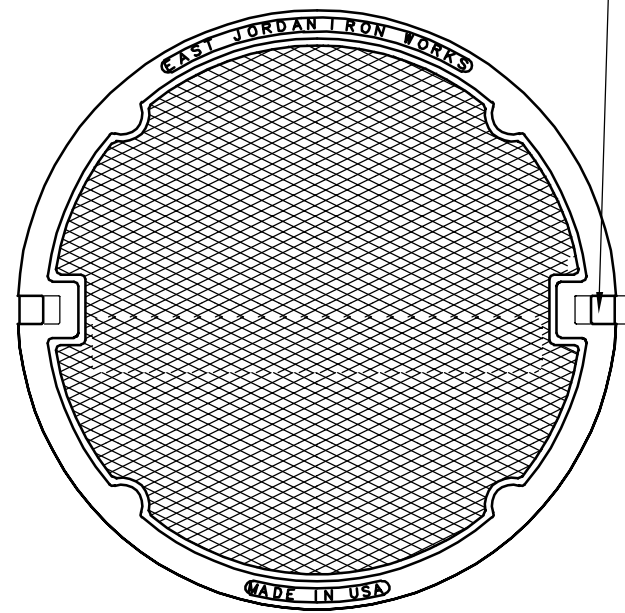
EST. WT.
COVER: 215 LBS 97kg

OPEN AREA
N/A

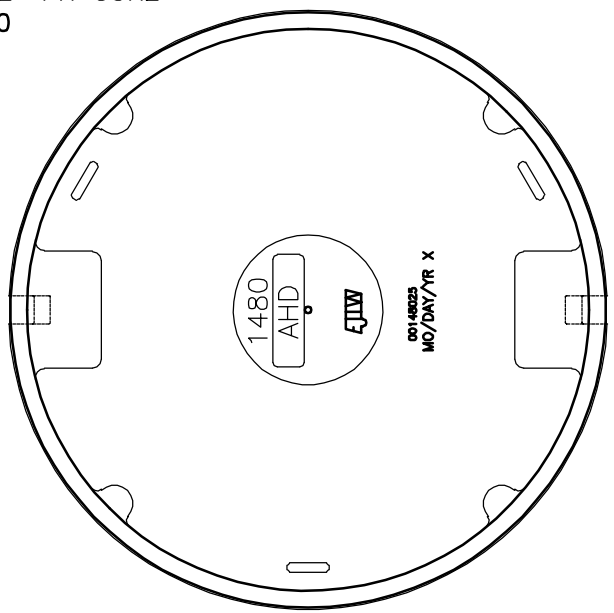
MAT'L SPEC.
COVER - GRAY IRON
ASTM A48 CL35

LOAD RATING
HEAVY DUTY

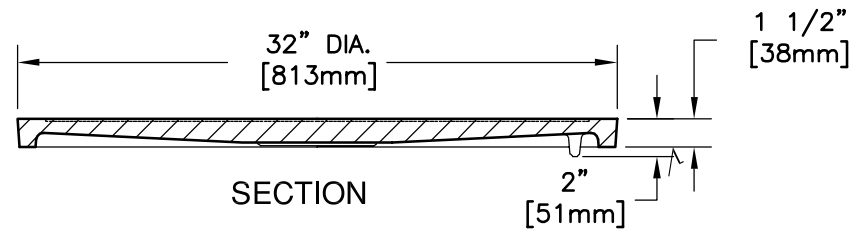
(2) CLOSED PICKHOLES
1040A SQ 1-1/2" PH CORE
CORE# 10402010



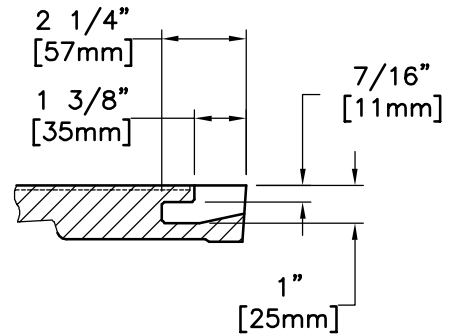
PLAN VIEW



BOTTOM VIEW



SECTION



PICKHOLE DETAIL

√ MACHINED SURFACE