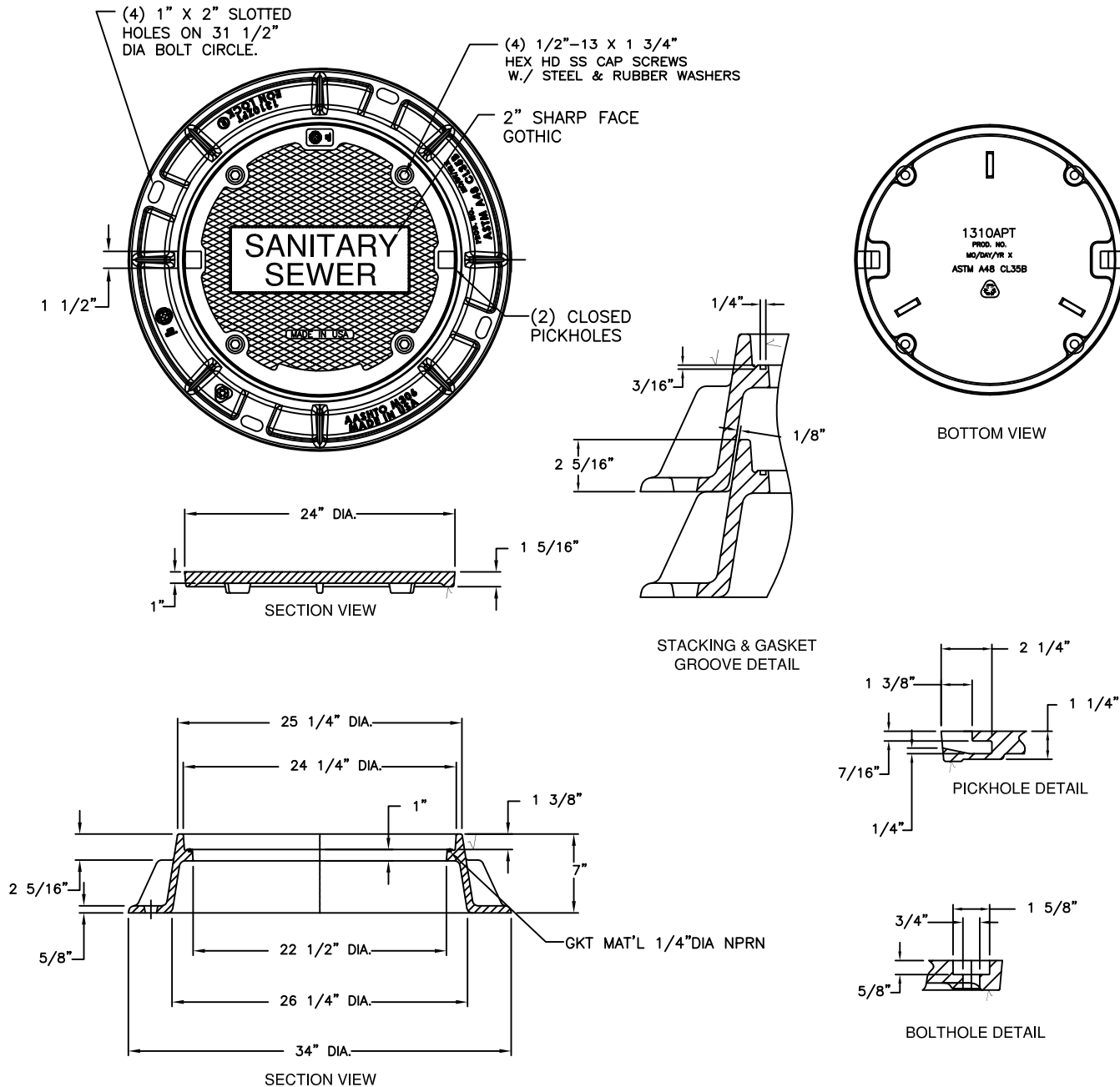


# 1310 Assembly



## Product Number

00131050

## Design Features

- Materials
  - Frame Gray Iron (CL35)
  - Cover Gray Iron (CL35)

- Design Load Heavy Duty
- Open Area n/a
- Coating Dipped
- √ Designates Machined Surface

## Certification

- 
- 
- 
- Country of Origin: USA

## Major Components

00131012  
00131040

## Drawing Revision

05/31/2006 Designer: KMB  
04/30/2012 Revised By: DJH

## Disclaimer

Weights (lbs./kg) dimensions (inches/mm) and drawings provided for your guidance. We reserve the right to modify specifications without prior notice.

CONFIDENTIAL: This drawing is the property of EJ GROUP, Inc., and embodies confidential information, registered marks, patents, trade secret information, and/or know how that is the property of EJ GROUP, Inc. Copyright © 2011 EJ GROUP, Inc. All rights reserved.

## Contact

800 626 4653  
ejco.com