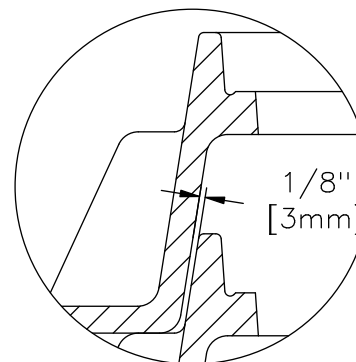
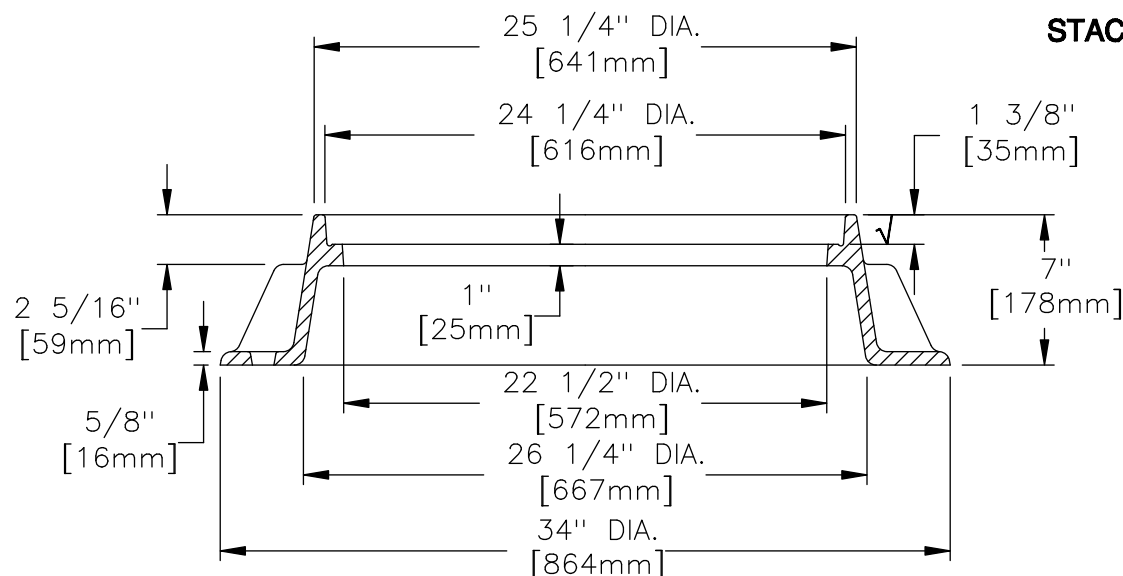


(4) 1" (25mm) X 2" (51mm)
SLOTTED HOLES ON 31 1/2"
(800mm) DIA BOLT CIRCLE.
2"
[51mm]



STACKING DETAIL



SECTION VIEW

√ MACHINED SURFACE

EAST JORDAN
IRON WORKS, INC.
P.O. BOX 439
EAST JORDAN, MI. 49727
1-800-874-4100
FAX 231-536-4458

DRAWN DEW	DATE 08/26/05
APPROVED	DATE

**MANHOLE
FRAME**

PRODUCT NO.
00131011
UNDIPPED
CATALOG NO.

1310Z

REF. PRODUCT DRAWING
131011

EST. WT.
FRAME: 167 LBS 82kg

OPEN AREA
N/A

MAT'L SPEC.
FRAME - GRAY IRON
ASTM A48 CL35B

LOAD RATING
HEAVY DUTY