

PRODUCT NUMBER

00121215

CATALOG NUMBER

1212Z1

MANHOLE RING

LOAD RATING

HEAVY DUTY

COATING

UNDIPPED

ESTIMATED WEIGHT

RING: 227 LBS

MATERIAL SPECIFICATION

RING - GRAY IRON
ASTM A48 CL35B

OPEN AREA
N/A

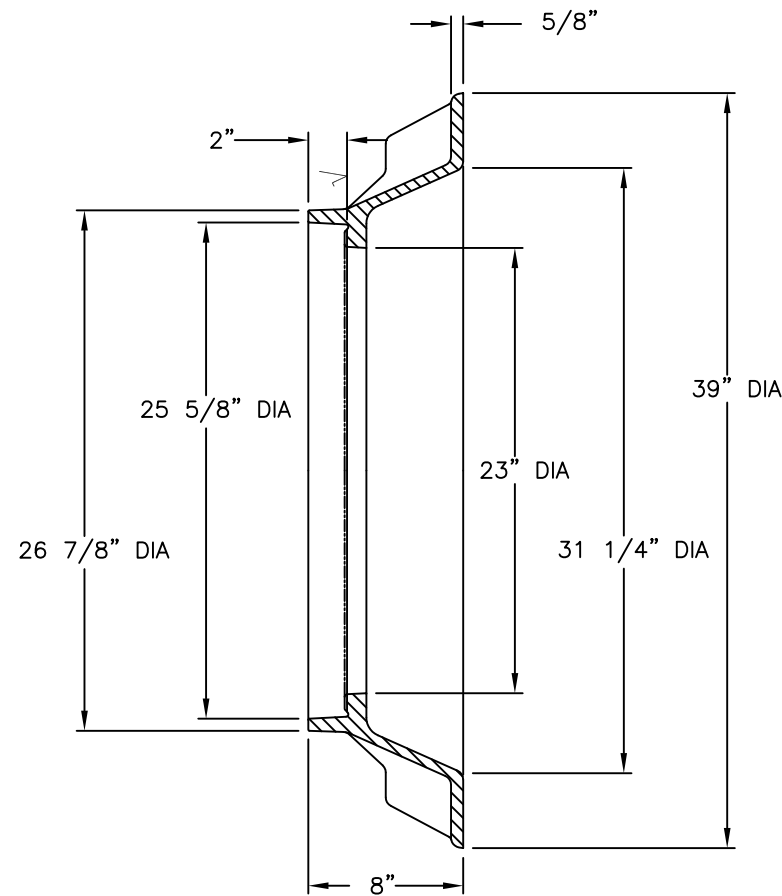
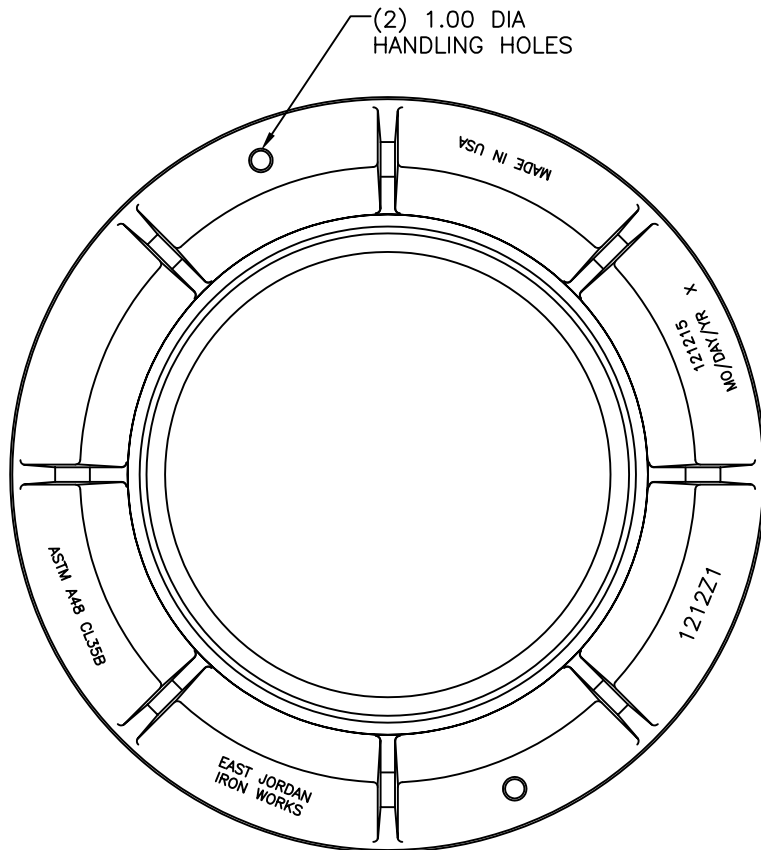
√ DESIGNATES MACHINED
SURFACE

DRAWN SBB	DATE 10/23/03
--------------	------------------

LAST REVISED DAL	DATE 06/12/08
---------------------	------------------

REFERENCE INFORMATION

00121215



FRAME SECTION

MARKINGS REQUIRED BY NJDOT & AASHTO M306-04:

1. NAME OF PRODUCING FOUNDRY
2. COUNTRY OF MANUFACTURE (MADE IN USA)
3. ASTM A48 CLASS 35B
4. DATE OF MANUFACTURE