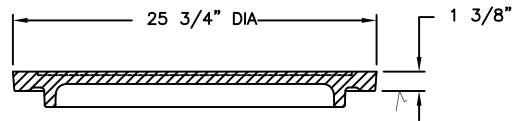
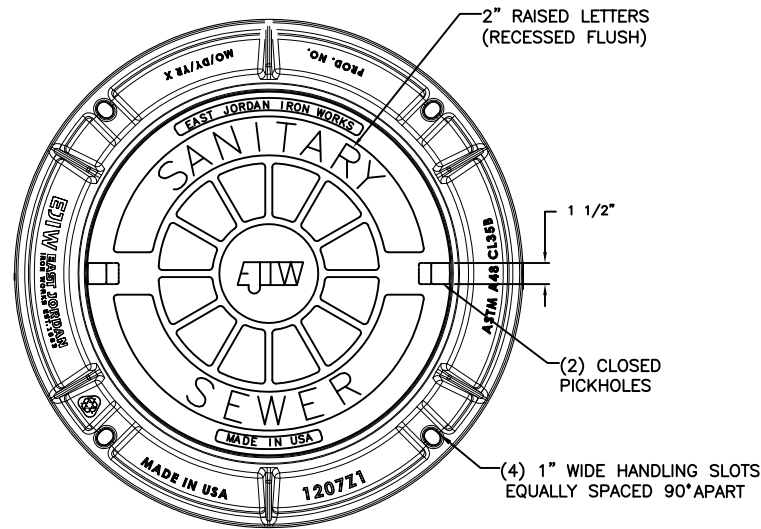
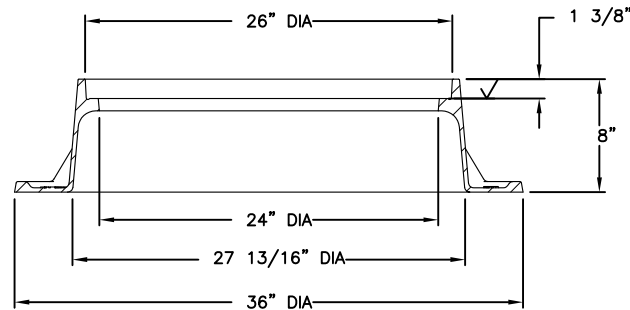


# 1207Z1 / 1203A ASSY



COVER SECTION



FRAME SECTION

## PRODUCT NUMBER

00120321A01

## DESIGN FEATURES

### MATERIALS

COVER-GRAY IRON  
ASTM A48 CL35B

FRAME-GRAY IRON  
ASTM A48 CL35B

DESIGN LOAD  
HEAVY DUTY

COATING  
UNDIPPED

OPEN AREA  
N/A

√ DESIGNATES MACHINED  
SURFACE

## SPECIAL FEATURES

## ALTERNATE OPTIONS

## REFERENCE INFORMATION

00120715

00120321

## DRAWING DETAILS

ORIGINAL DRAWING: GAD 1217/09

REVISED BY:

Corporate  
Headquarters  
301 Spring Street  
PO Box 439  
East Jordan, MI  
49727-0439  
800.874.4100



Call Today for  
More Information

800.626.4653

**EJIW EAST JORDAN**  
IRON WORKS EST. 1883  
WE COVER YOUR INFRASTRUCTURE

www.ejiw.com  
MADE IN THE USA

- Weights (lbs./kg.), dimensions (inches/mm.), and drawings provided for your guidance.
- We reserve the right to modify specifications without prior notice.
- Uncontrolled distribution.

CONFIDENTIAL: This drawing is the property of East Jordan Iron works, Inc., and embodies confidential information, registered marks, trade secret information, and/or know how that is the property of East Jordan Iron Works, Inc. ©Copyright 2009 East Jordan Iron Works, Inc.