

PRODUCT NUMBER

**00120321**

CATALOG NUMBER

**1203A**

**MANHOLE  
COVER**

LOAD RATING  
**HEAVY DUTY**

COATING  
**UNDIPPED**

SPECIFICATION

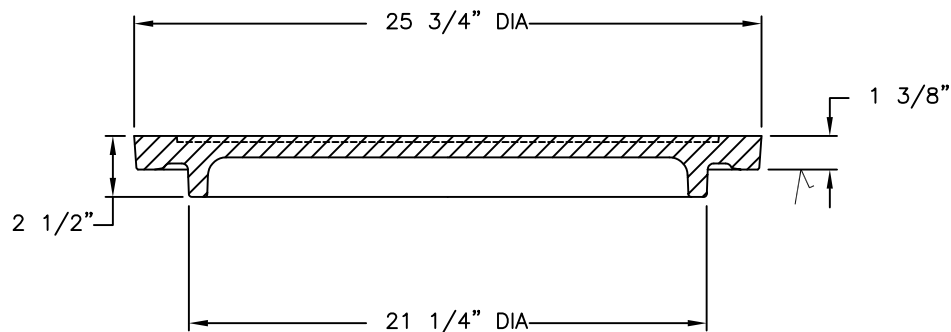
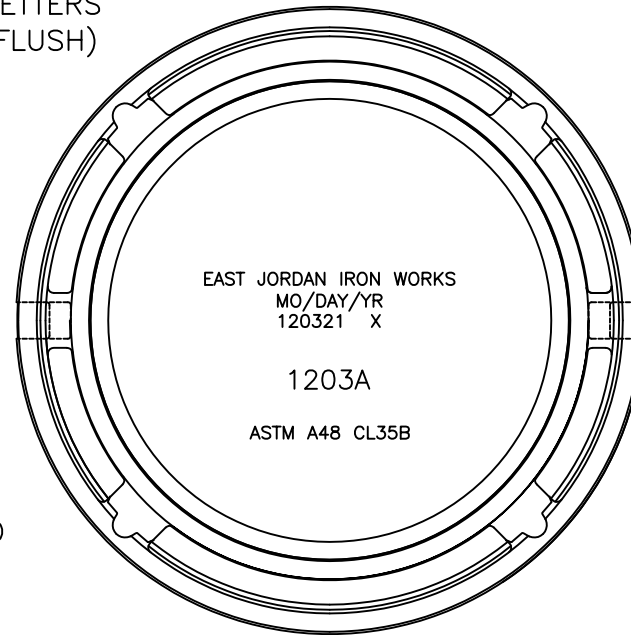
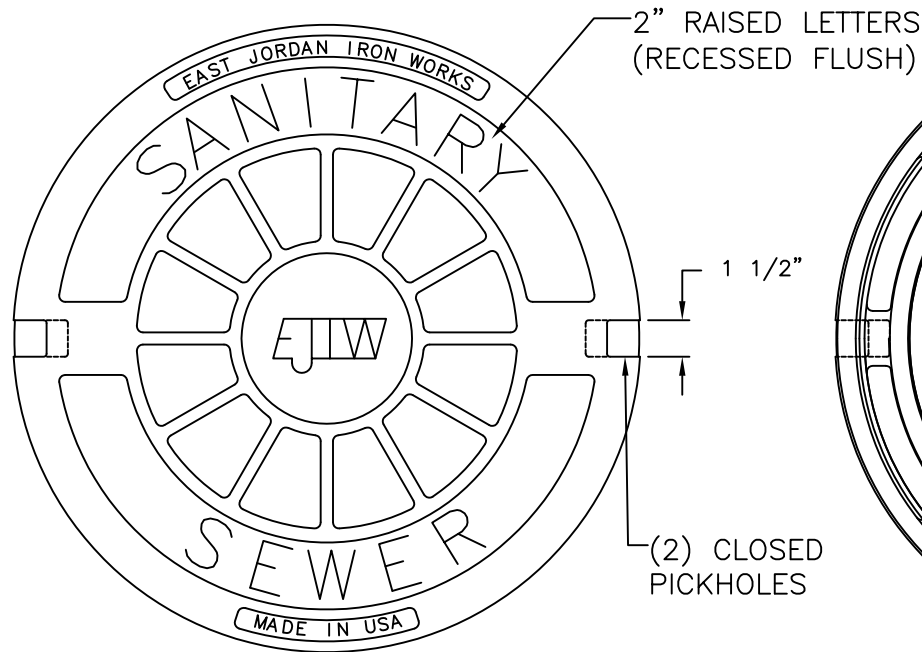
COVER - GRAY IRON  
ASTM A48 CL35B

OPEN AREA  
N/A

√ DESIGNATES MACHINED  
SURFACE

DRAWN SBB	DATE 03/28/03
--------------	------------------

LAST REVISED JJD	DATE 08/04/08
---------------------	------------------



COVER SECTION

