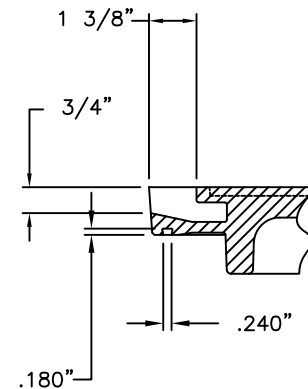
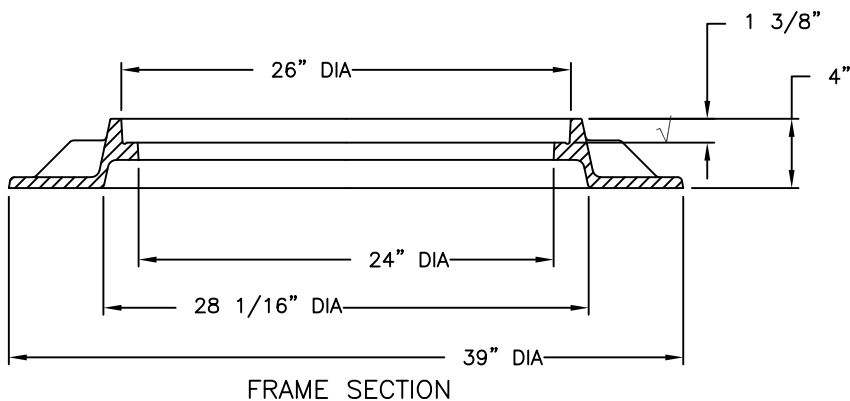
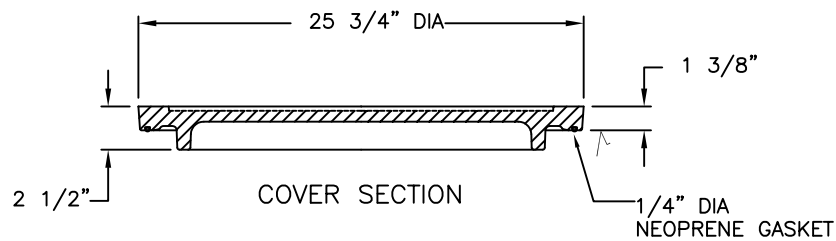
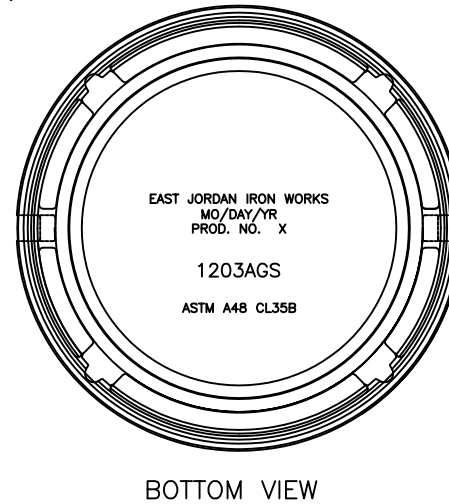
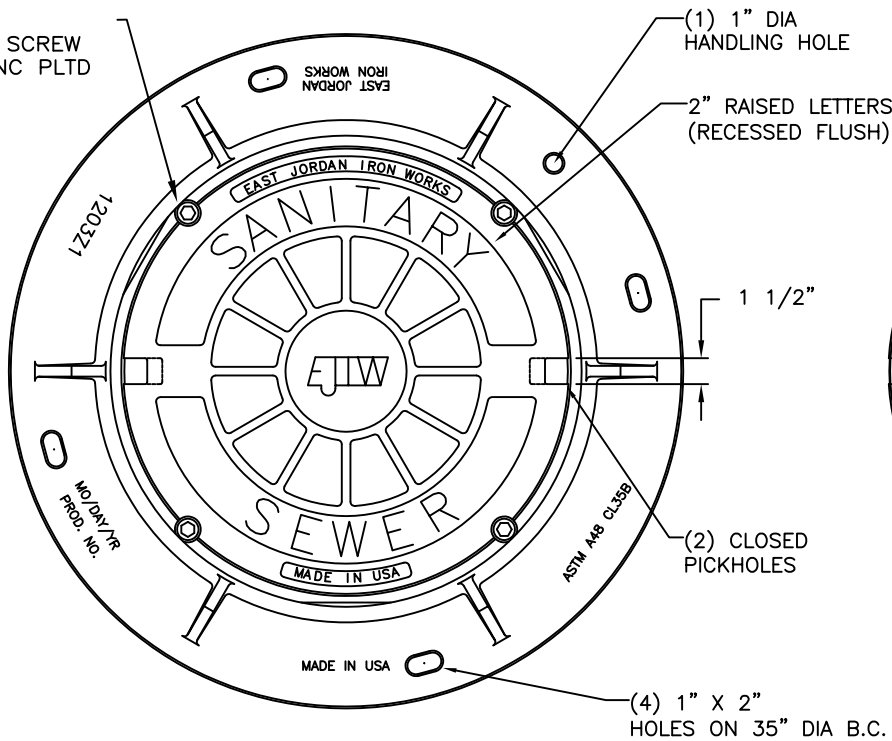


(4) 1/2-13
HEX SS CAP SCREW
W./ 1/2" ZINC PLTD
WASHERS



PICKHOLE & GROOVE
DETAIL

EJIW EAST JORDAN
IRON WORKS EST. 1883

800-626-4653
www.ejiw.com
MADE IN USA

PRODUCT NUMBER
00120302

CATALOG NUMBER
1203A
1203Z1

**MANHOLE
ASSEMBLY**

LOAD RATING
HEAVY DUTY

COATING
UNDIPPED

MATERIAL SPECIFICATION
COVER - GRAY IRON
ASTM A48 CL35B
FRAME - GRAY IRON
ASTM A48 CL35B

OPEN AREA
N/A

√ DESIGNATES MACHINED
SURFACE

DRAWN SBB	DATE 07/29/04
--------------	------------------

LAST REVISED GAD	DATE 07/20/09
---------------------	------------------

REFERENCE INFORMATION

00120321
00120311