

EJIW EAST JORDAN
 IRON WORKS EST. 1883
 800-626-4653
 www.ejiw.com
 MADE IN USA

PRODUCT NUMBER
45665004

CATALOG NUMBER
V5665
V6665

MANHOLE ASSEMBLY

LOAD RATING
HEAVY DUTY

COATING
UNDIPPED

MATERIAL SPECIFICATION
 COVER - GRAY IRON
 ASTM A48 CL35B
 FRAME - GRAY IRON
 ASTM A48 CL35B

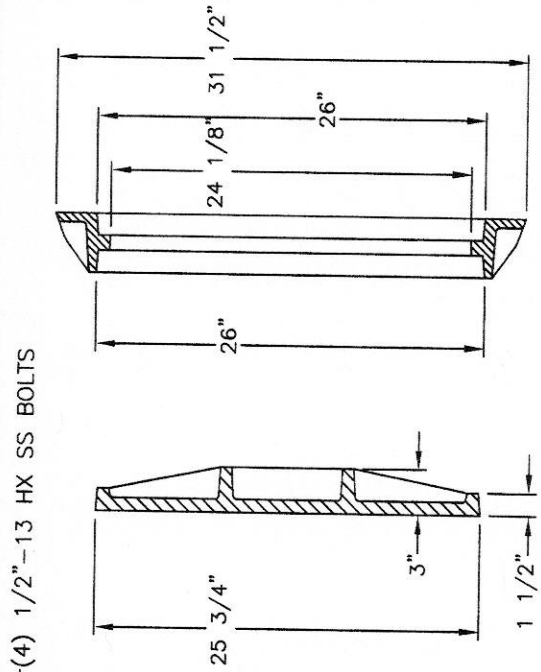
OPEN AREA
 N/A

✓ DESIGNATES MACHINED SURFACE

DRAWN GAD	DATE 11/14/08
--------------	------------------

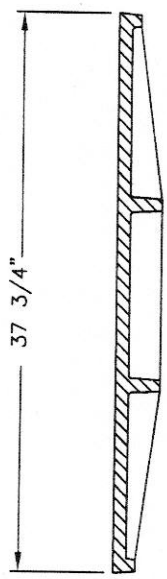
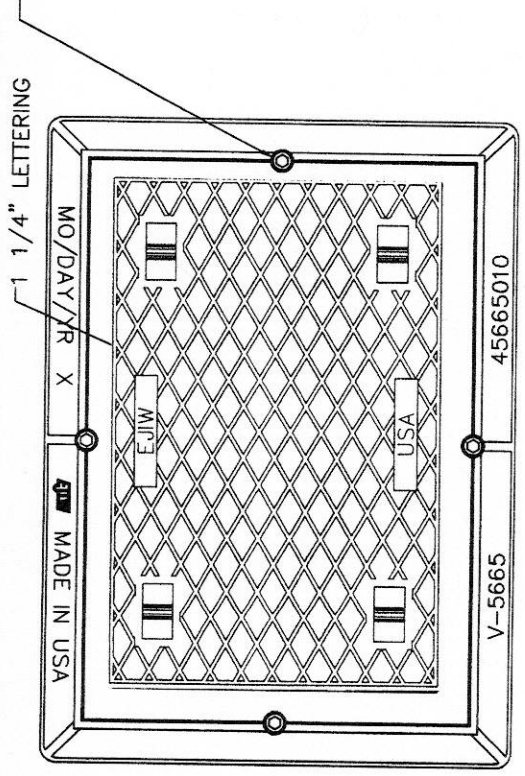
LAST REVISED	DATE
--------------	------

REFERENCE INFORMATION
45665010
46665027

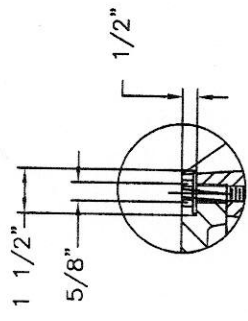


COVER SECTION

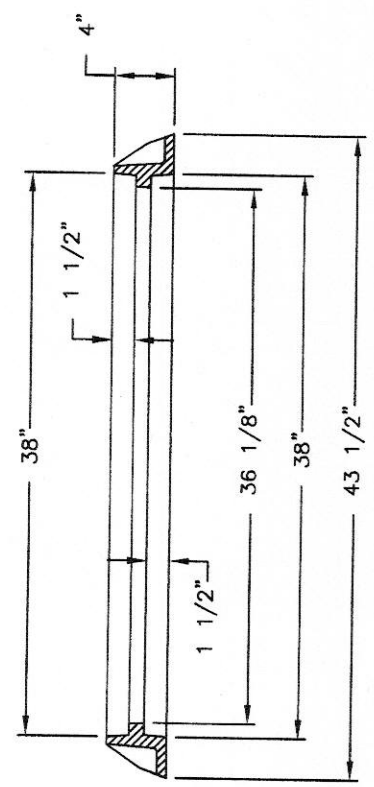
FRAME SECTION



COVER SECTION



BOLT DETAIL



FRAME SECTION

NOTE: FRAME REVERSIBLE:
 FOR TOP FLANGE ORDER
 CATALOG NO. V-5865
 FOR BOTTOM FLANGE ORDER
 CATALOG NO. V-5665

CONFIDENTIAL: This drawing is the property of East Jordan Iron Works, Inc. and embodies confidential information, trade secret information, and/or know how that is the property of East Jordan Iron Works, Inc. © Copyright 2007 East Jordan Iron Works, Inc.