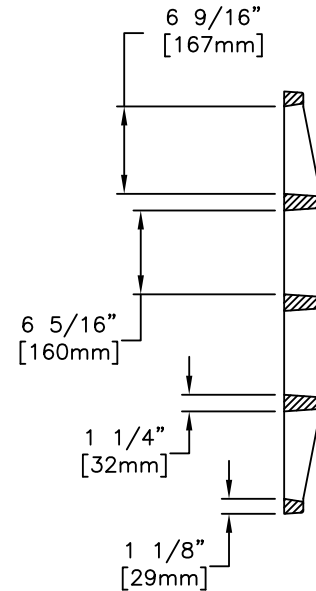
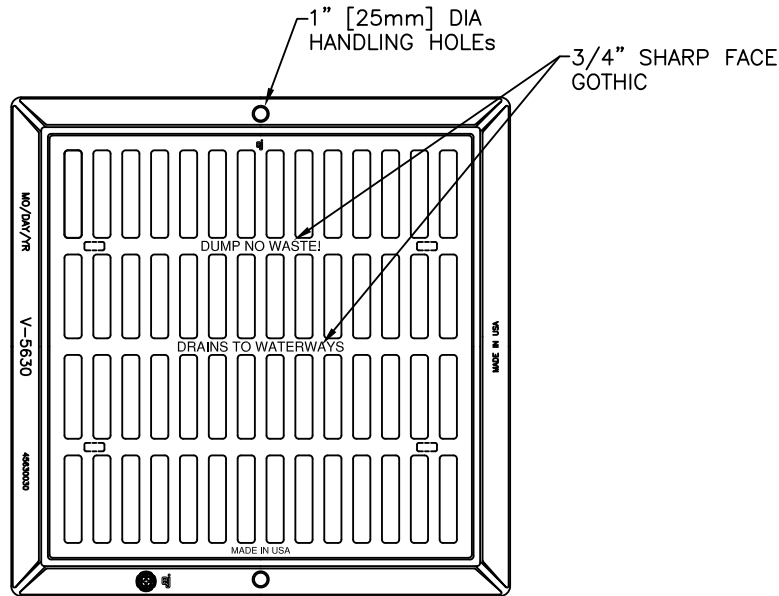


V5630 V5630 Assembly



GRATE SECTION

Product Number

45630002

Design Features

- Materials
 - Frame
Gray Iron (CL35B)
 - Grate
Gray Iron (CL35B)

- Design Load
Extra Heavy Duty
- Open Area
474 Sq. Inches
- Coating
Undipped
- √ Designates Machined Surface

Certification

- ASTM A48
-
-
- Country of Origin: USA

Major Components

45630010
45630030

Drawing Revision

01/26/2003 Designer: TCL
04/04/2014 Revised By: DVD

Disclaimer

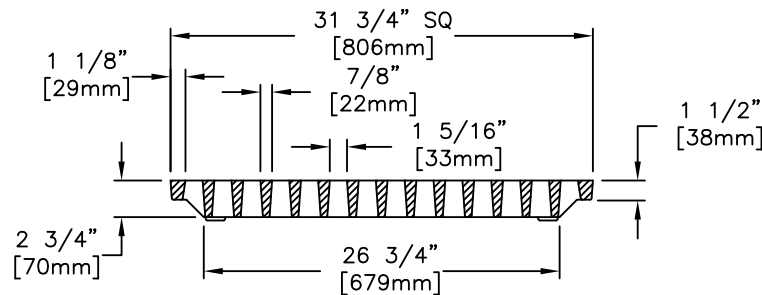
Weights (lbs./kg) dimensions (inches/mm) and drawings provided for your guidance. We reserve the right to modify specifications without prior notice.

CONFIDENTIAL: This drawing is the property of EJ GROUP, Inc., and embodies confidential information, registered marks, patents, trade secret information, and/or know how that is the property of EJ GROUP, Inc. Copyright © 2012 EJ GROUP, Inc. All rights reserved.

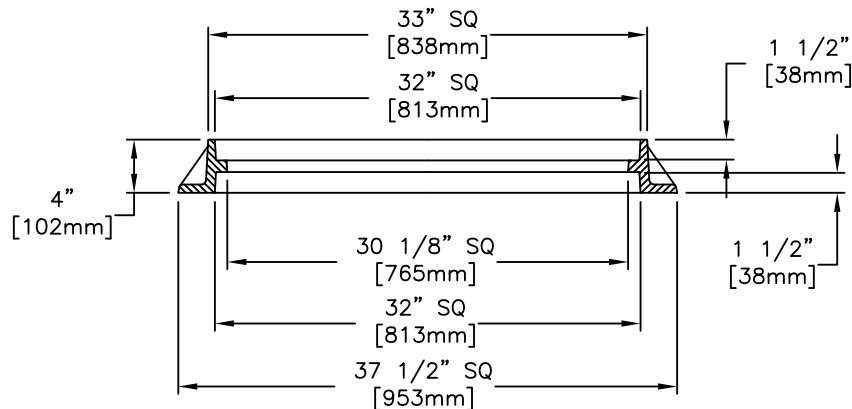
Contact

800 626 4653
ejco.com

NOTE: FRAME IS REVERSIBLE, FOR BOTTOM FLANGE ORDER NO. V-5630, FOR TOP FLANGE ORDER NO. V-5830.



GRATE SECTION



FRAME SECTION