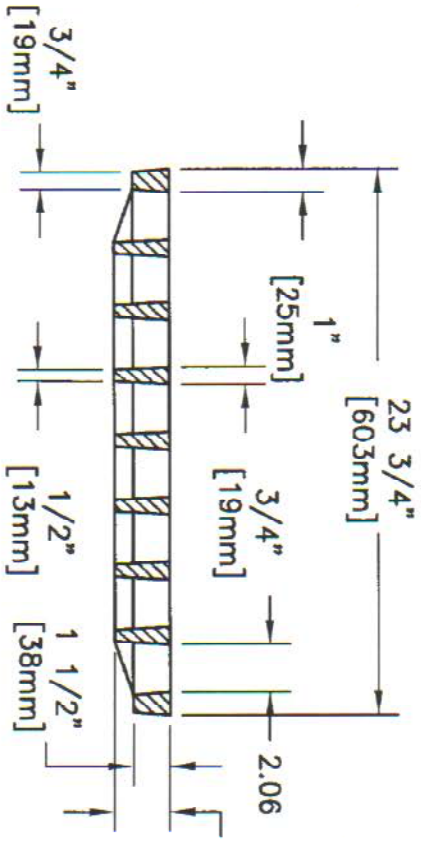
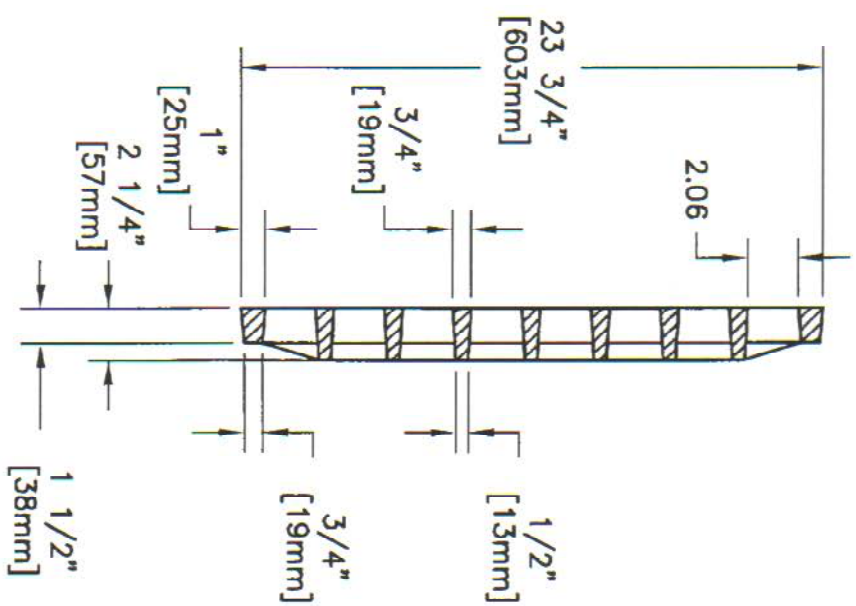


GRATE TOP VIEW



GRATE SECTION



GRATE SECTION

EAST JORDAN
IRON WORKS, INC.
P.O. BOX 439
EAST JORDAN, MI. 49727
1-800-874-4100
FAX 231-536-4458

DRAWN	DATE
BAI	06/01/00
APPROVED	DATE

V-5622-5
GRATE

PRODUCT NO.

45622530

CATALOG NO.

V-5622-5

REF. PRODUCT DRAWING

N/A

EST. WT.

GRATE: 140 LBS 64kg

OPEN AREA
269 SQ. IN
1735 SQ. CM

MAT'L SPEC.

GRATE - GRAY IRON
ASTM A48 CL35

LOAD RATING

HEAVY DUTY