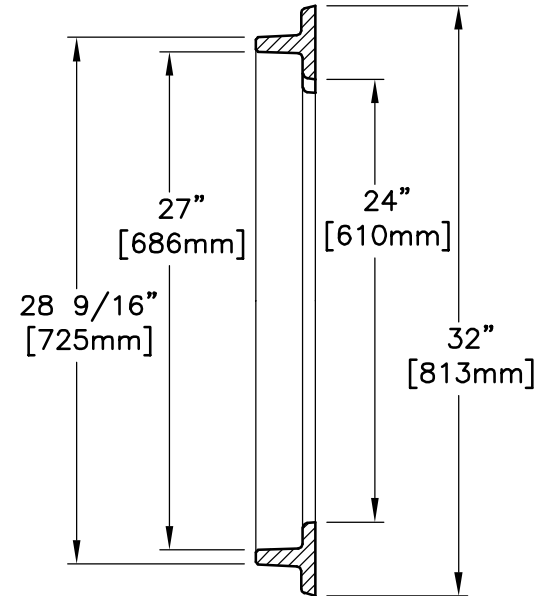
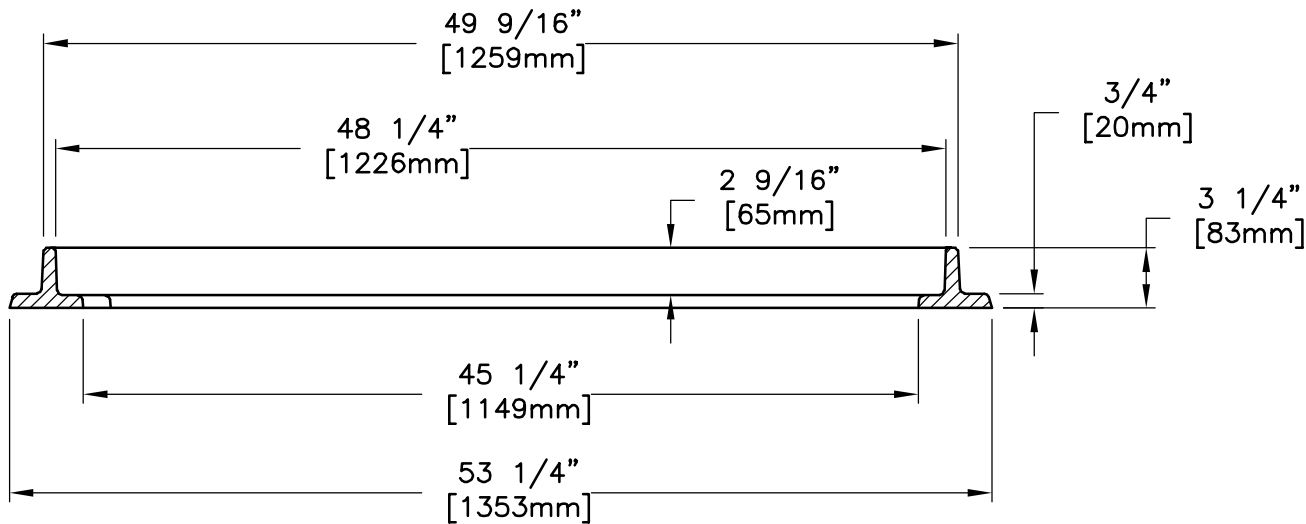


FRAME TOP VIEW



SIDE SECTION



FRAME SECTION

EAST JORDAN
IRON WORKS, INC.
P.O. BOX 439
EAST JORDAN, MI 49727
1-800-874-4100
FAX 231-536-4458

DRAWN SBB	DATE 01/13/06
APPROVED	DATE

CATCH BASIN
FRAME

PRODUCT NO.
00535511
UNDIPPED

CATALOG NO.
5355Z

REF. PRODUCT DRAWING
535511

EST. WT.
FRAME: 205 LBS 93kg

OPEN AREA
N/A

MAT'L SPEC.
FRAME - GRAY IRON
ASTM A48 CL30

LOAD RATING
HEAVY DUTY
(HS-25)