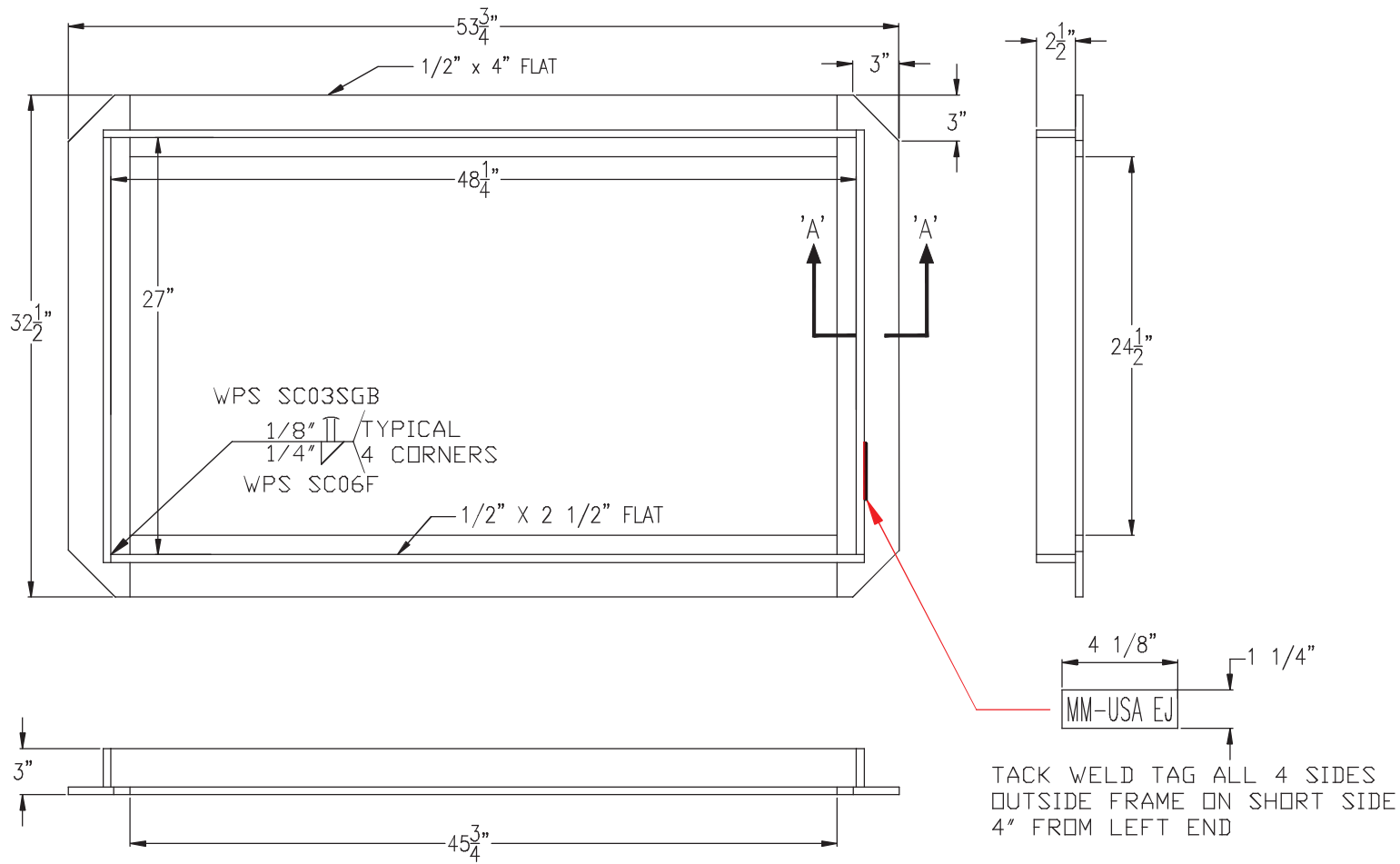


Pennsylvania DOT M Frame



Product Number

PAMF

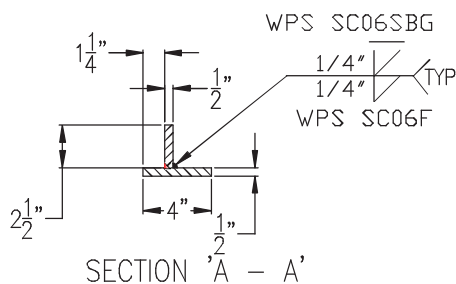
Design Features

- Materials
See Notes
- Design Load
Per RC-45M
- Open Area

- Coating
Bituminous
- √ Designates Machined Surface

Certification

- WT 142lbs
-
- Country of Origin: USA



NOTES:

- 1.) ALL MATERIAL SHALL BE HOT ROLLED STEEL CONFORMING TO THE REQUIREMENTS OF ASTM A709 GR36 (A36).
- 2.) ALL WELDING SHALL BE IN CONFORMANCE WITH THE REQUIREMENTS OF PUBLICATION 408, SECTION 1105.03(m).
- 3.) COAT FRAMES WITH AN APPROVED BITUMINOUS PAINT, IN ACCORDANCE WITH PUBLICATION 408 SECTION 605.2(f).
- 4.) ENTIRE FRAME SHALL CONFORM TO THE REQUIREMENTS OF PENNSYLVANIA DOT STANDARD RC-45M.

Drawing Revision

08/06/2010 Designer: ARO
09/23/2014 Revised By: DM

Disclaimer

Weights (lbs/kg), dimensions (inches/mm) and drawings provided for your guidance. We reserve the right to modify specifications without prior notice.

CONFIDENTIAL: This drawing is the property of EJ Group, Inc. and embodies confidential information, registered marks, patents, trade secret information, and/or know-how that is the property of EJ Group, Inc. Copyright © 2011 EJ Group, Inc. All rights reserved.

Contact

800 626 4653
ejco.com