

EAST JORDAN
 IRON WORKS, INC.
 P.O. BOX 439
 EAST JORDAN, MI. 49727
 1-800-874-4100
 FAX 231-536-4458

DRAWN SBB	DATE 08/10/00
--------------	------------------

APPROVED	DATE
----------	------

MANHOLE COVER

PRODUCT NO.
757521

CATALOG NO.
7575A

REF. PRODUCT DRAWING
757521

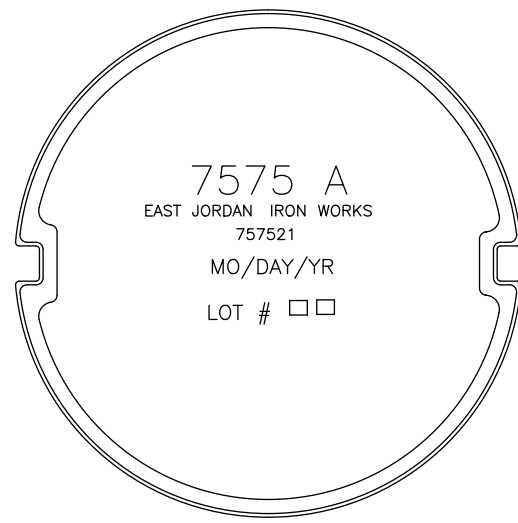
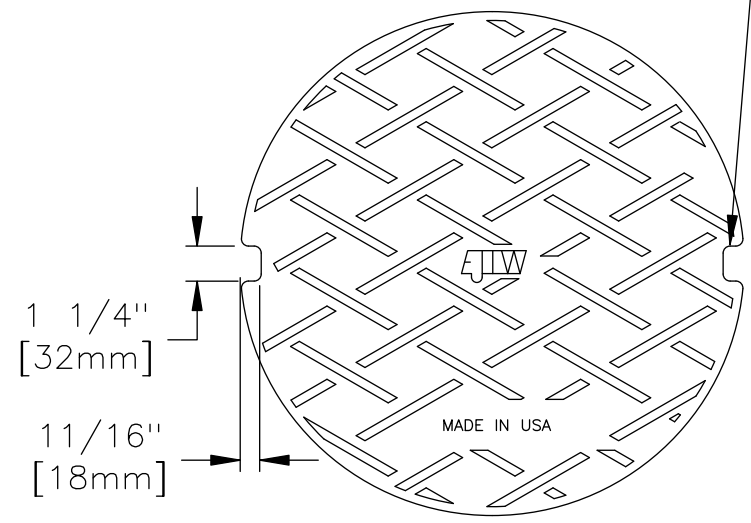
EST. WT.
COVER: 60 LBS 27kg

OPEN AREA
N/A

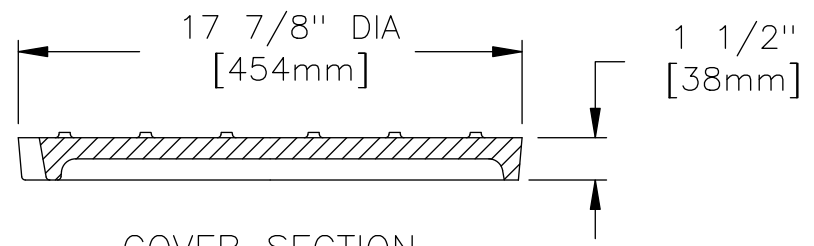
MAT'L SPEC.
COVER - GRAY IRON
ASTM A48 CL35

LOAD RATING
HEAVY DUTY

(2) OPEN
PICKHOLES



BOTTOM VIEW



COVER SECTION

PRODUCT NUMBER

00757411

CATALOG NUMBER

7574Z

**MANHOLE
FRAME**

LOAD RATING

HEAVY DUTY

COATING

UNDIPPED

ESTIMATED WEIGHT

FRAME: 575 LBS

MATERIAL SPECIFICATION

FRAME - GRAY IRON
ASTM A48 CL35B

OPEN AREA
N/A

√ DESIGNATES MACHINED
SURFACE

DRAWN
SBB

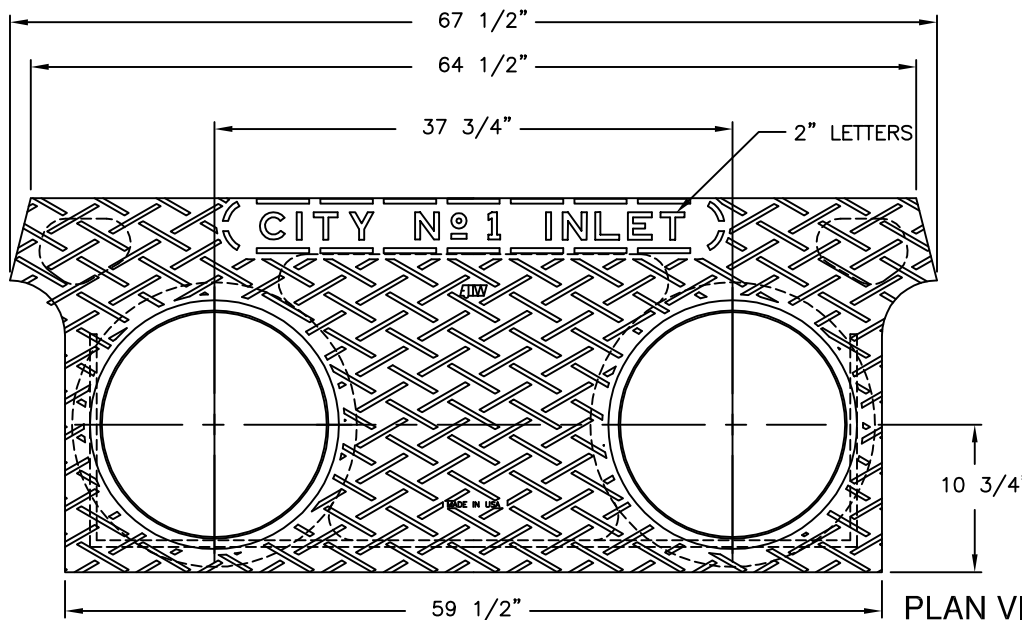
DATE
12/18/01

LAST REVISED
SBB

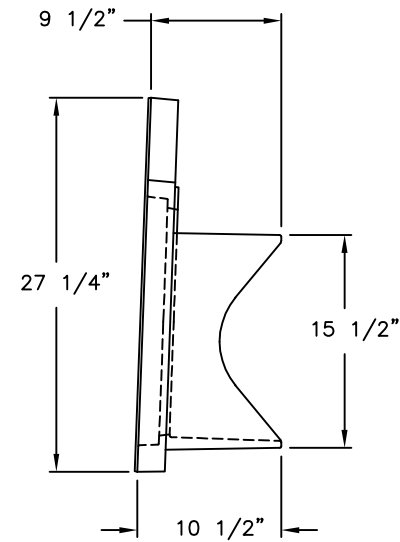
DATE
07/07/10

REFERENCE INFORMATION

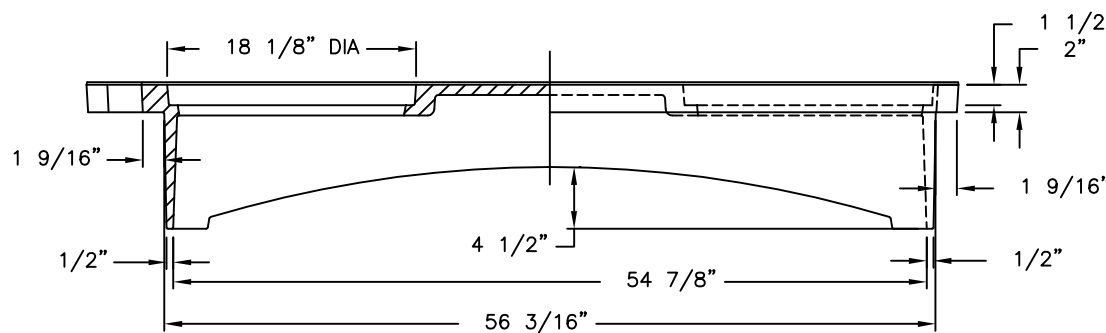
00757411.1C
00757411.1D



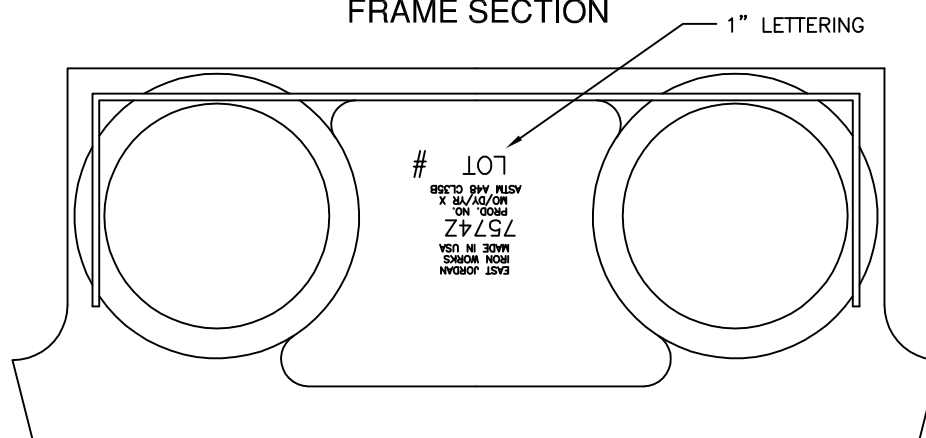
PLAN VIEW



END VIEW



FRAME SECTION



BOTTOM VIEW