

PRODUCT NUMBER

00535549

CATALOG NUMBER

5355M6

**CATCH BASIN
(ADA)**

LOAD RATING
**HEAVY DUTY
(HS-25)**

COATING
UNDIPPED

ESTIMATED WEIGHT
GRATE: 198 LBS

MATERIAL SPECIFICATION
GRATE - GRAY IRON
ASTM A48 CL35B

OPEN AREA
145 sq.in.

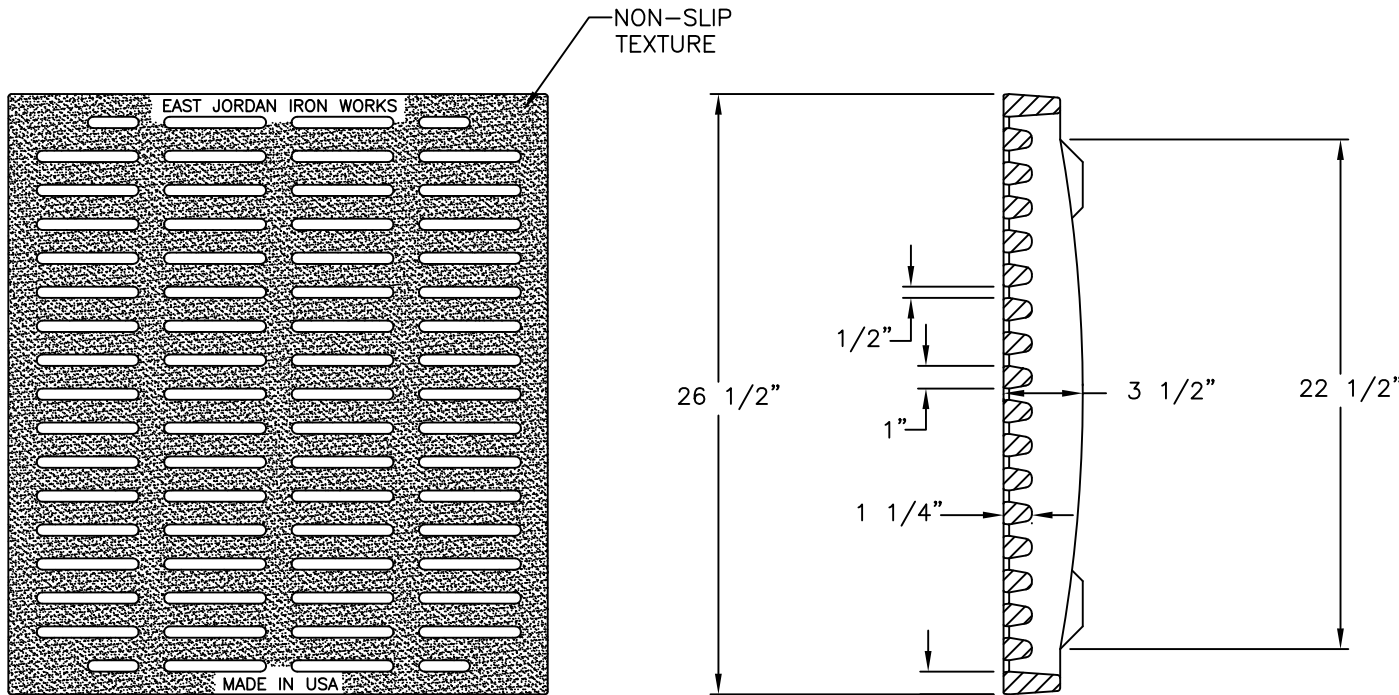
√ DESIGNATES MACHINED
SURFACE

DRAWN JJJ	DATE 08/15/02
--------------	------------------

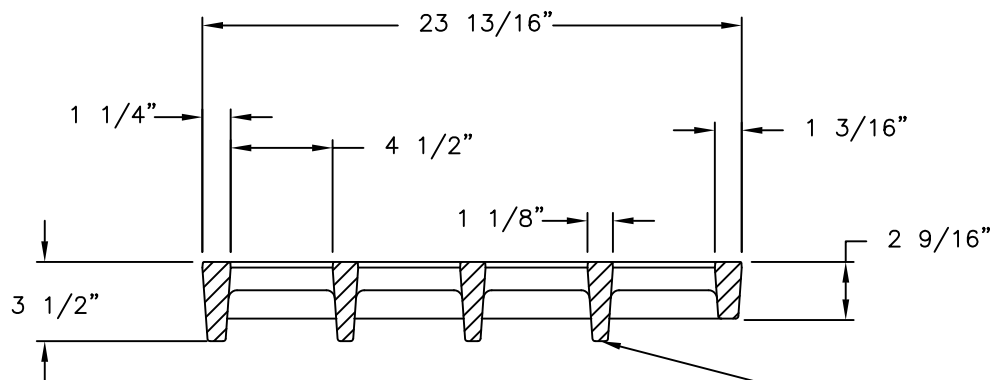
LAST REVISED JJD	DATE 05/07/08
---------------------	------------------

REFERENCE INFORMATION

00535549.1C
00535549.1D



SECTION OF GRATE



SECTION OF GRATE

MO/DAY/YR
5355M6
00535549
ASTM A48 CL35B