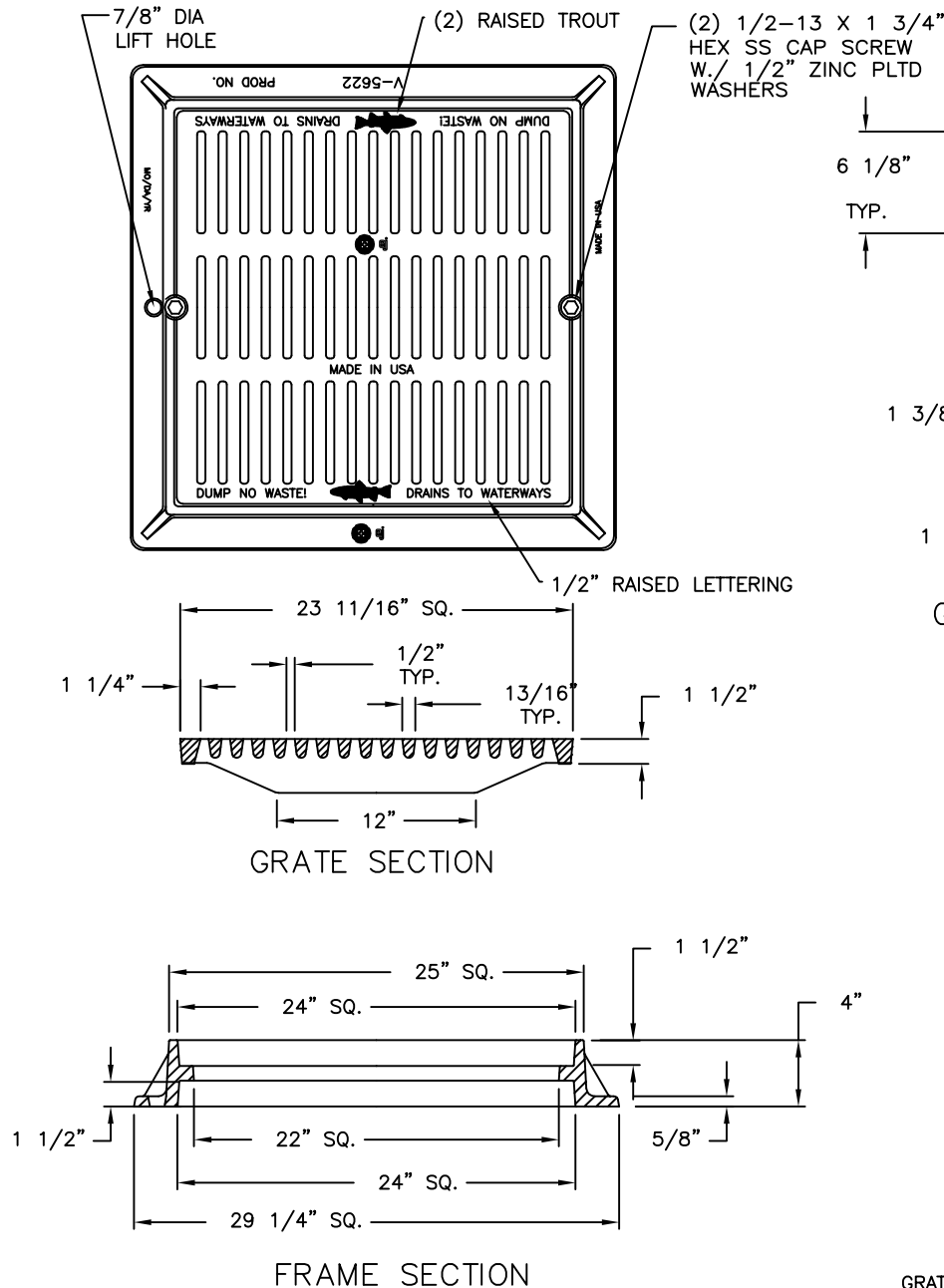


V5622 V5622-80 Assembly



NOTE:
 FRAME IS REVERSIBLE
 BOTTOM FLANGE V-5622
 TOP FLANGE V-5822

GRATE DESIGNED TO BE IN ACCORDANCE WITH ADA REQUIREMENTS (SECTION 4.5.4)

Product Number
 45622802

Design Features

- Materials
 - Frame Gray Iron (CL35B)
 - Grate Gray Iron (CL35B)
- Design Load Heavy Duty
- Open Area 156 sq in
- Coating Undipped
- √ Designates Machined Surface

Certification

- ASTM A48
- Country of Origin: USA

Major Components

- 45622010
- 45622830

Drawing Revision

- 03/02/2005 Designer: DEW
- 8/26/2014 Revised By: MAH

Disclaimer

Weights (lbs./kg) dimensions (inches/mm) and drawings provided for your guidance. We reserve the right to modify specifications without prior notice.

CONFIDENTIAL: This drawing is the property of EJ GROUP, Inc., and embodies confidential information, registered marks, patents, trade secret information, and/or know how that is the property of EJ GROUP, Inc. Copyright © 2012 EJ GROUP, Inc. All rights reserved.

Contact

800 626 4653
 ejco.com