

EAST JORDAN  
IRON WORKS, INC.  
P.O. BOX 439  
EAST JORDAN, MI. 49727  
1-800-874-4100  
FAX 231-536-4458

DRAWN JIJ	DATE 10/18/04
APPROVED	DATE

## MANHOLE FRAME

PRODUCT NO.  
**00513511**

CATALOG NO.  
**5135Z**

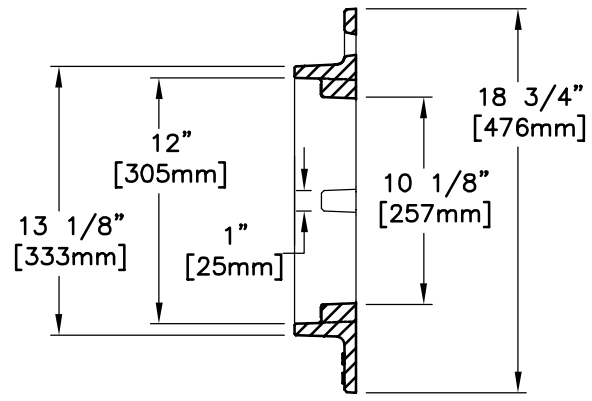
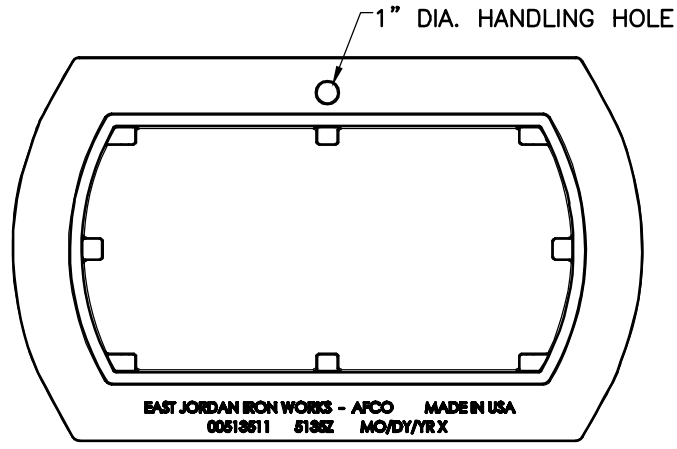
REF. PRODUCT DRAWING  
**00513511**

EST. WT.  
FRAME: 71 LBS 32kg

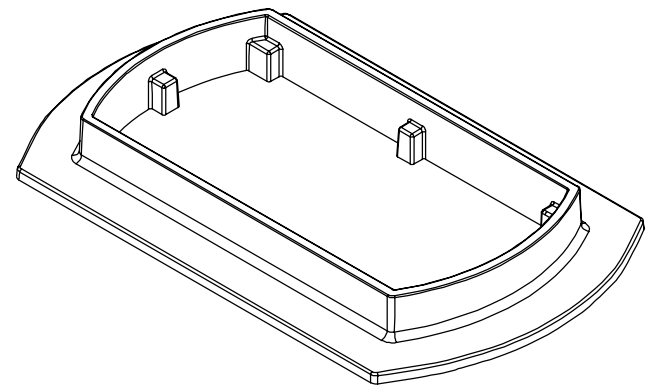
OPEN AREA  
N/A

MAT'L SPEC.  
FRAME - GRAY IRON  
ASTM A48 CL30

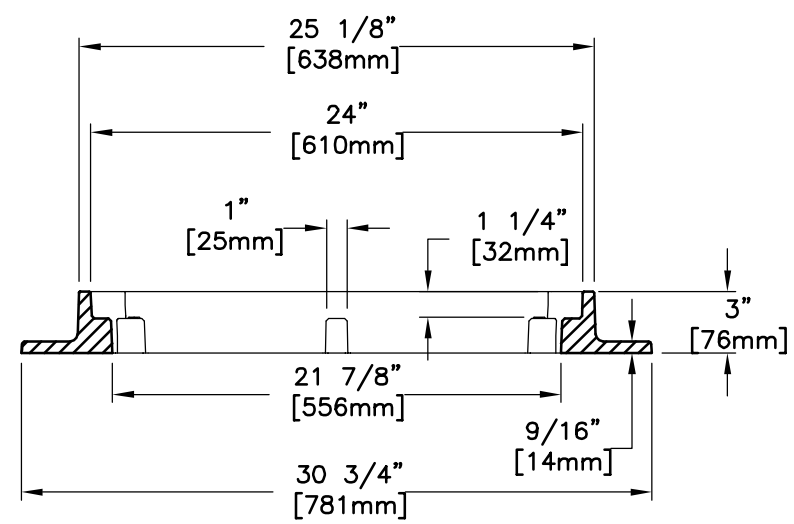
LOAD RATING  
HEAVY DUTY



SECTION



ISOMETRIC VIEW



SECTION