

5105M1 5100Z COMBINATION

PRODUCT NUMBER

00510538C01

DESIGN FEATURES

MATERIALS

GRATE-GRAY IRON
ASTM A48 CL35B
FRAME-GRAY IRON
ASTM A48 CL35B

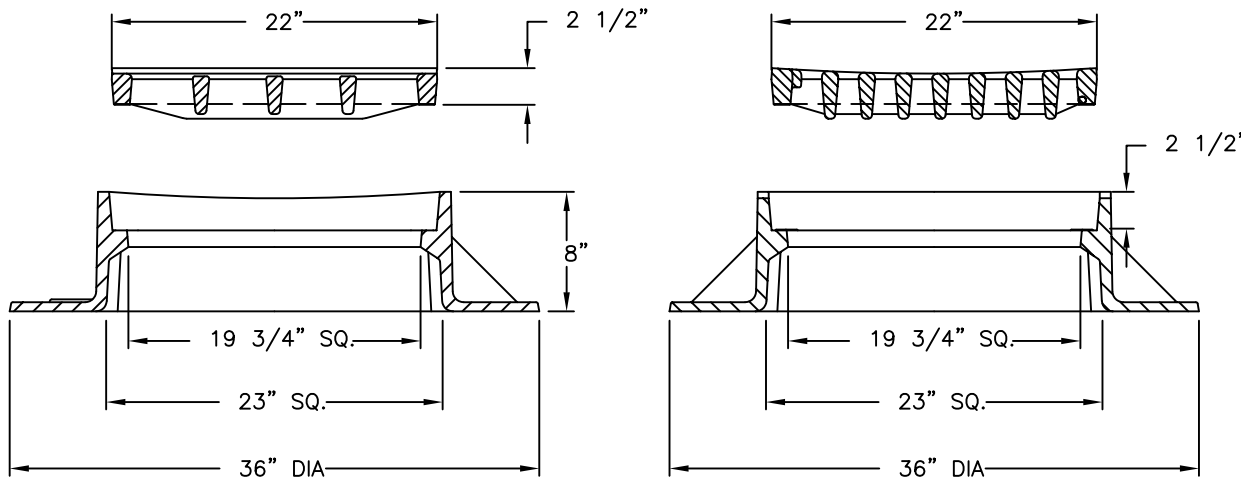
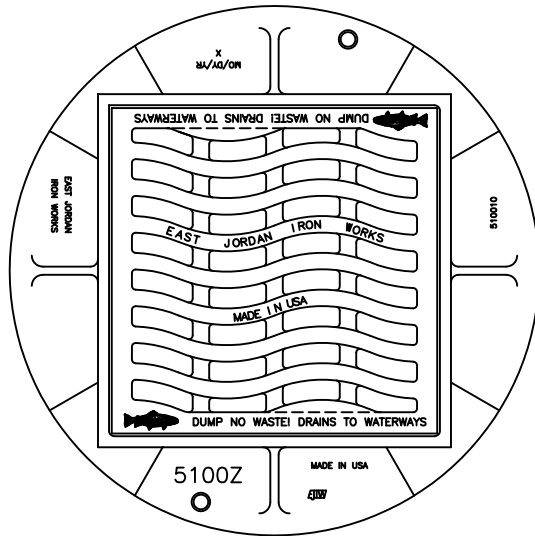
DESIGN LOAD
HEAVY DUTY

COATING
DIPPED

OPEN AREA
175 SQ. INCHES

√ DESIGNATES MACHINE SURFACE

NOTE:
COMPONENTS ARE SHIPPED LOOSE.
NOT ASSEMBLED.



Corporate
Headquarters
301 Spring Street
PO Box 439
East Jordan, MI
49727-0439
800.874.4100



Call Today for
More Information

800.626.4653

EJIW EAST JORDAN
IRON WORKS EST. 1883
WE COVER YOUR INFRASTRUCTURE

www.ejiw.com
MADE IN THE USA

- Weights (lbs./kg.), dimensions (inches/mm.), and drawings provided for your guidance.
- We reserve the right to modify specifications without prior notice.
- Uncontrolled distribution.

CONFIDENTIAL: This drawing is the property of East Jordan Iron works, Inc., and embodies confidential information, registered marks, trade secret information, and/or know how that is the property of East Jordan Iron Works, Inc. ©Copyright 2009 East Jordan Iron Works, Inc.

REFERENCE INFORMATION

00510538
00510010

DRAWING DETAILS

ORIGINAL DRAWING: JMB 06/30/06

REVISED BY: DEW 08/03/10