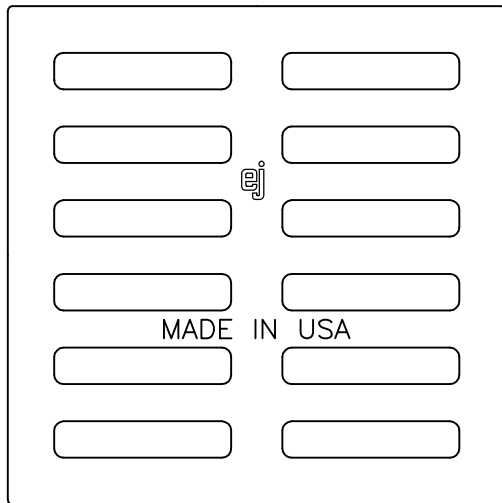
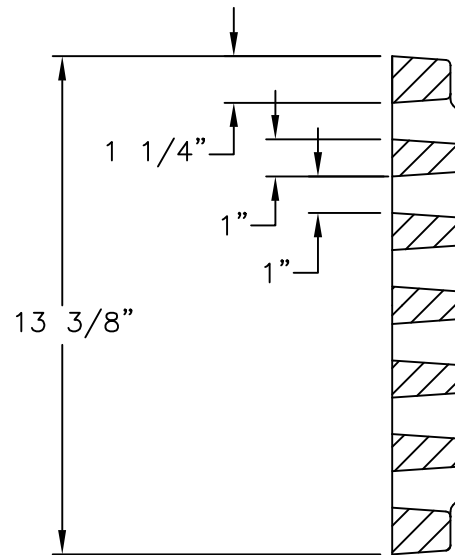


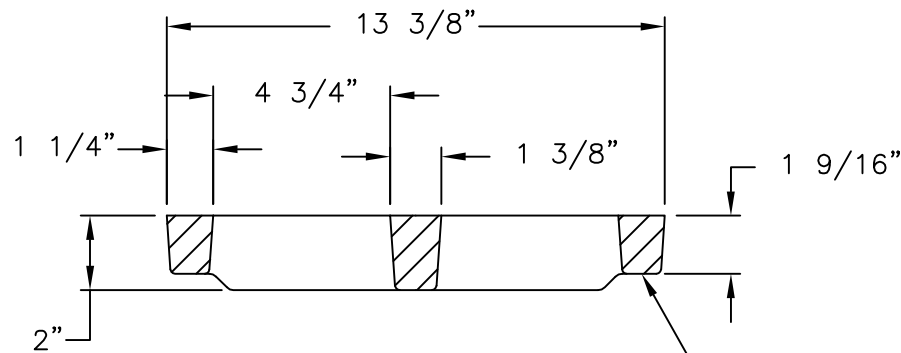
# V5713 Grate




PLAN VIEW



GRATE SECTION



GRATE SECTION

V5713  
 PROD NO.  
 MO/DY/YR X  
 ASTM A48 CL35B  


## Product Number

45713030

## Design Features

- Materials  
Gray Iron (CL35B)
- Design Load  
Heavy Duty
- Open Area  
55 Sq. Inches
- Coating  
Undipped
- √ Designates Machined Surface

## Certification

- ASTM A48
- 
- 
- Country of Origin:USA

## Drawing Revision

02/21/2002 Designer: SBB  
 10/26/2016 Revised By: DVD

## Disclaimer

Weights (lbs./kg) dimensions (inches/mm) and drawings provided for your guidance. We reserve the right to modify specifications without prior notice.

CONFIDENTIAL: This drawing is the property of EJ GROUP, Inc., and embodies confidential information, registered marks, patents, trade secret information, and/or know how that is the property of EJ GROUP, Inc. Copyright © 2012 EJ GROUP, Inc. All rights reserved.

## Contact

800 626 4653  
 ejco.com