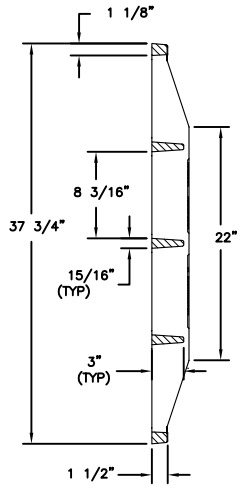
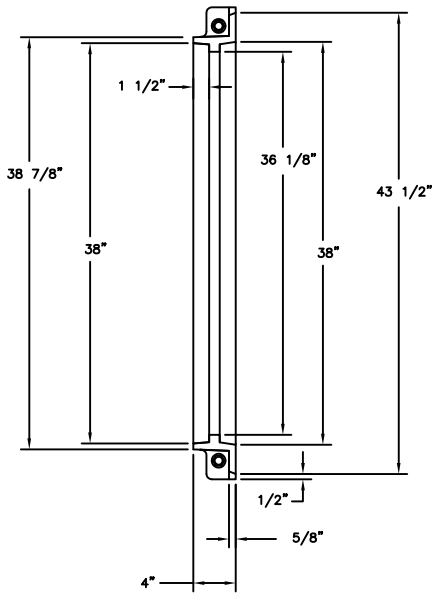


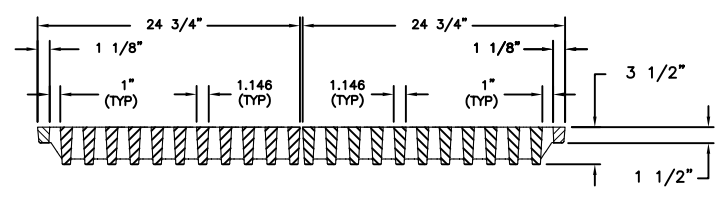
FRAME & GRATE TOP VIEW (2) 5/8-11 x 3" SS BOLTS W/NUTS AND WASHERS



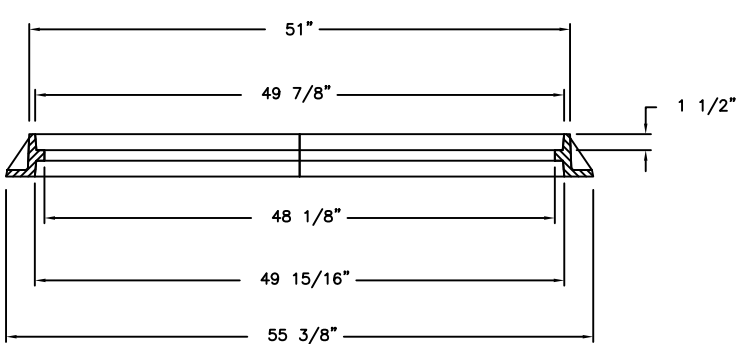
GRATE SECTION



FRAME SECTION



GRATE SECTION



FRAME SECTION

NOTE: FRAME IS REVERSIBLE, FOR BOTTOM FLANGE ORDER NO. V-5670, FOR TOP FLANGE ORDER NO. V-5870.

EJIW EAST JORDAN
IRON WORKS EST. 1883

800-626-4653
www.ejiw.com
MADE IN USA

PRODUCT NUMBER
45670003

CATALOG NUMBER
V-5670

CATCH BASIN ASSEMBLY

LOAD RATING
HEAVY DUTY

COATING
UNDIPPED

MATERIAL SPECIFICATION
GRATE - GRAY IRON
ASTM A48 CL35B
FRAME - GRAY IRON
ASTM A48 CL30B

OPEN AREA
708 SQ. INCHES

√ DESIGNATES MACHINED SURFACE

DRAWN TCL	DATE 09/06/05
--------------	------------------

LAST REVISED GAD	DATE 07/23/08
---------------------	------------------

REFERENCE INFORMATION

45670010
45670030