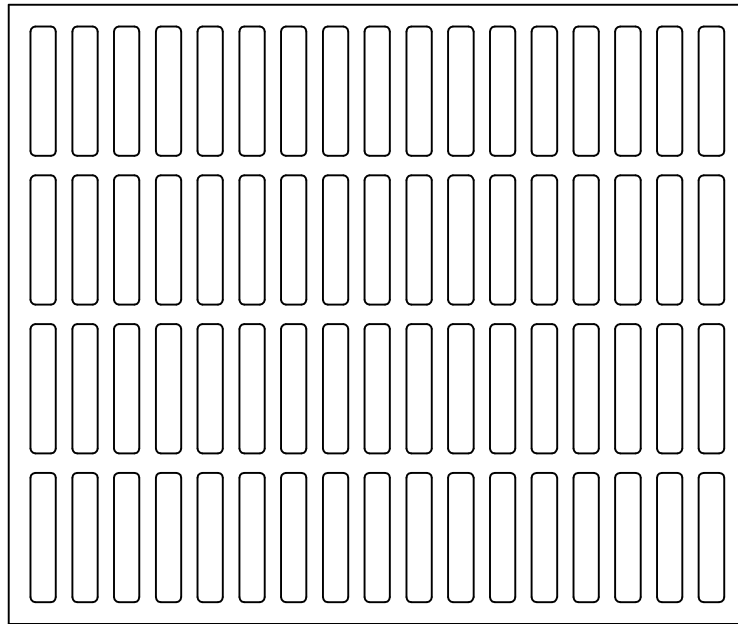
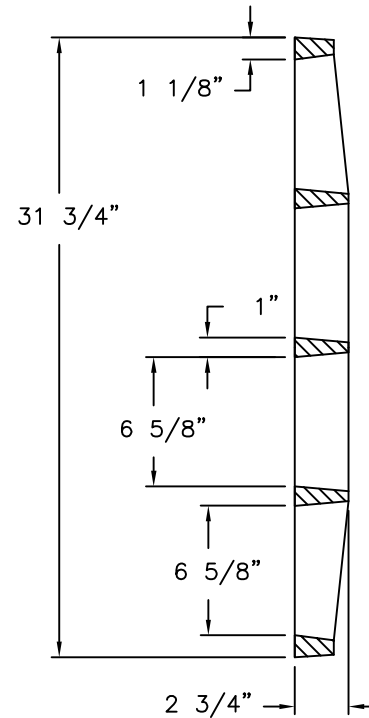


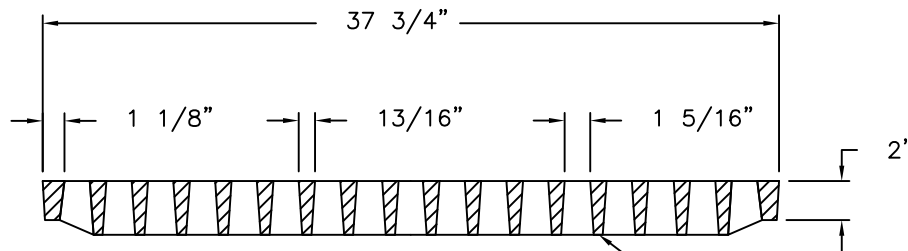
V5668 Grate



GRATE TOP VIEW



GRATE SECTION



GRATE SECTION

ASTM A48 CL35B
 V5668
 PROD NO.
 MO/DY/YR X

Product Number

45668030

Design Features

- Materials
Gray Iron (CL35B)
- Design Load
Heavy Duty
- Open Area
562 sq in
- Coating
Undipped
- √ Designates Machined Surface

Certification

- ASTM A48
-
-
- Country of Origin: USA

Drawing Revision

10/02/2002 Designer: DEW
2/24/2016 Revised By: SBO

Disclaimer

Weights (lbs./kg) dimensions (inches/mm) and drawings provided for your guidance. We reserve the right to modify specifications without prior notice.

CONFIDENTIAL: This drawing is the property of EJ GROUP, Inc., and embodies confidential information, registered marks, patents, trade secret information, and/or know how that is the property of EJ GROUP, Inc. Copyright © 2015 EJ GROUP, Inc. All rights reserved.

Contact

800 626 4653
ejco.com