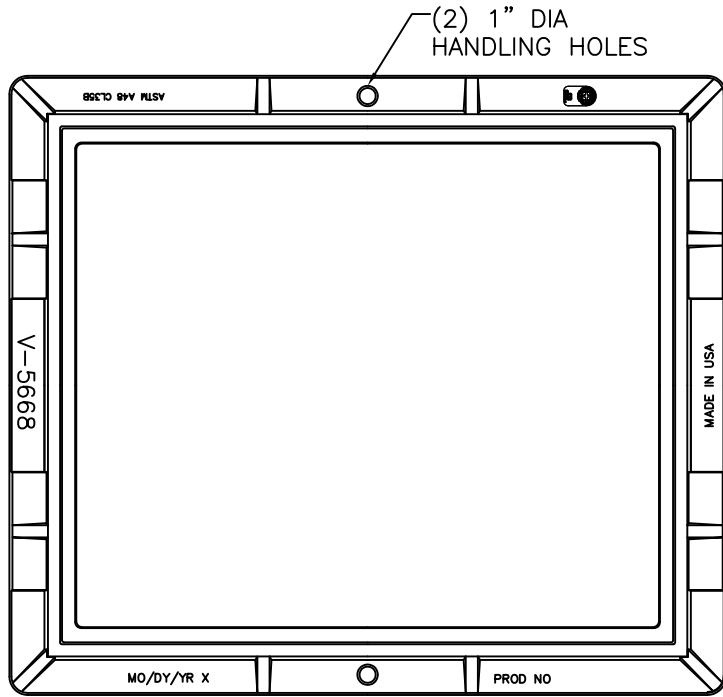
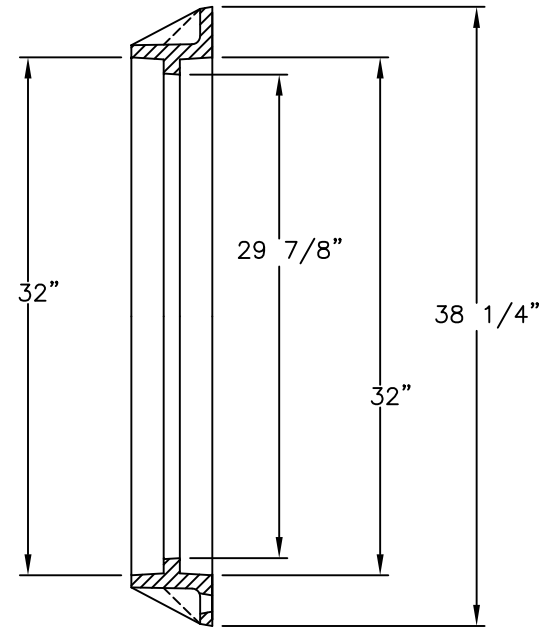


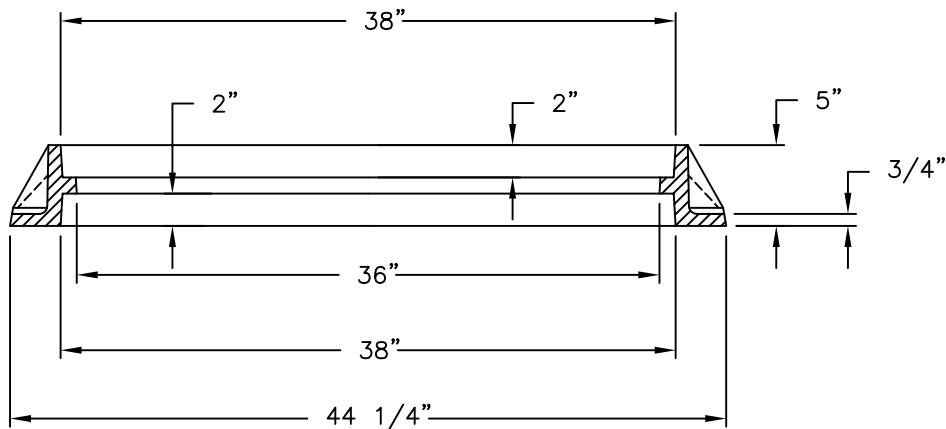
# V5668 Frame



FRAME TOP VIEW



FRAME SECTION



FRAME SECTION

NOTE: FRAME IS REVERSIBLE.  
 FOR BOTTOM FLANGE ORDER No. V-5668.  
 FOR TOP FLANGE ORDER No. V-5868.

**Product Number**

45668010

**Design Features**

- Materials  
Gray Iron (CL35B)
- Design Load  
Heavy Duty
- Open Area  
n/a
- Coating  
Undipped
- √ Designates Machined Surface

**Certification**

- ASTM A48
- 
- Country of Origin: USA

**Drawing Revision**

04/08/2003 Designer: DAL  
 08/17/2012 Revised By: DAL

**Disclaimer**

Weights (lbs./kg) dimensions (inches/mm) and drawings provided for your guidance. We reserve the right to modify specifications without prior notice.

CONFIDENTIAL: This drawing is the property of EJ GROUP, Inc., and embodies confidential information, registered marks, patents, trade secret information, and/or know how that is the property of EJ GROUP, Inc. Copyright © 2012 EJ GROUP, Inc. All rights reserved.

**Contact**

800 626 4653  
 ejco.com