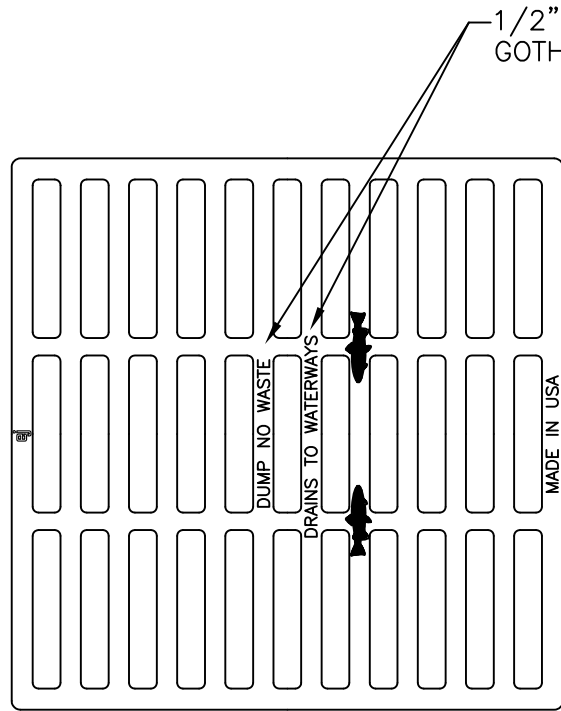
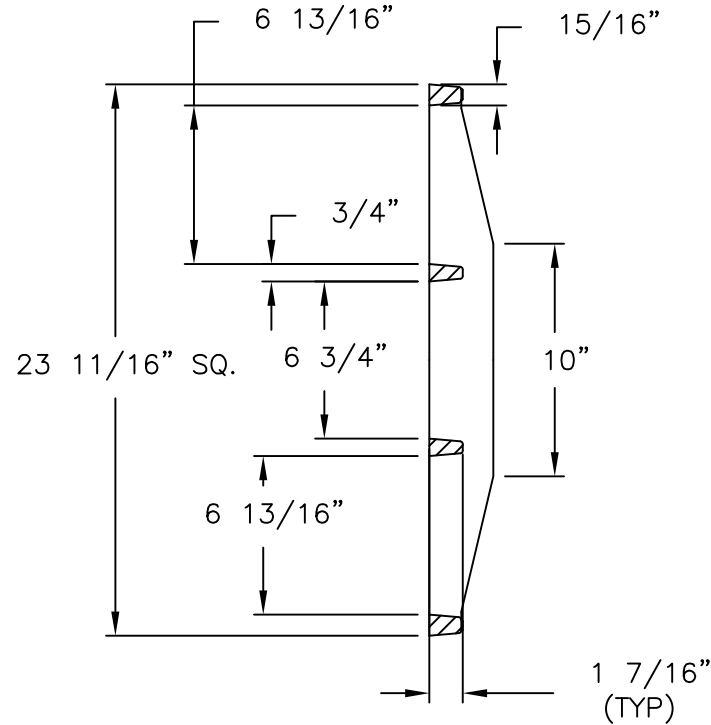


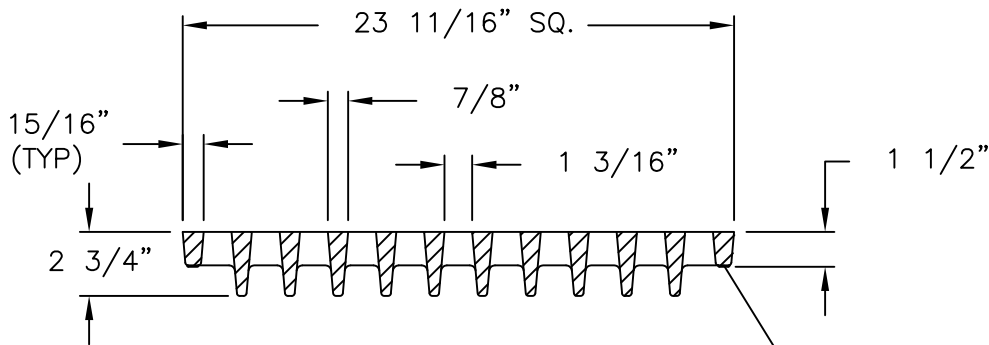
V5622 Grate



PLAN VIEW



GRATE SECTION



GRATE SECTION

V5622
 PROD NO.
 MO/DY/YR X
 ASTM A48 CL35B

√ DESIGNATES MACHINED SURFACE

Product Number

45622030

Design Features

- Materials
 Gray Iron (CL35B)
- Design Load
 Heavy Duty
- Open Area
 266 Sq. Inches
- Coating
 Undipped
- √ Designates Machined Surface

Certification

- ASTM A48
-
-
- Country of Origin:USA

Drawing Revision

02/23/2006 Designer: TCL
 09/08/2016 Revised By: DVD

Disclaimer

Weights (lbs./kg) dimensions (inches/mm) and drawings provided for your guidance. We reserve the right to modify specifications without prior notice.

CONFIDENTIAL: This drawing is the property of EJ GROUP, Inc., and embodies confidential information, registered marks, patents, trade secret information, and/or know how that is the property of EJ GROUP, Inc. Copyright © 2012 EJ GROUP, Inc. All rights reserved.

Contact

800 626 4653
 ejco.com