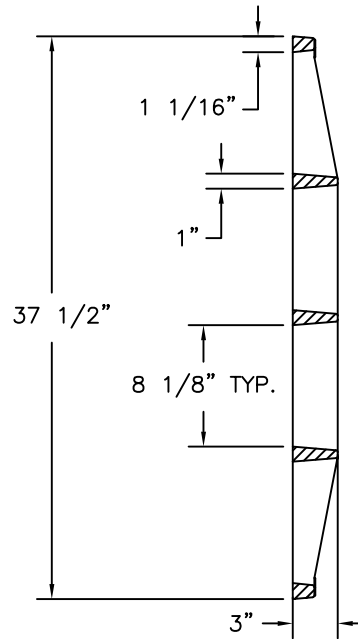
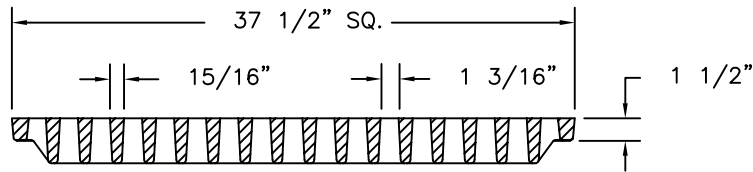


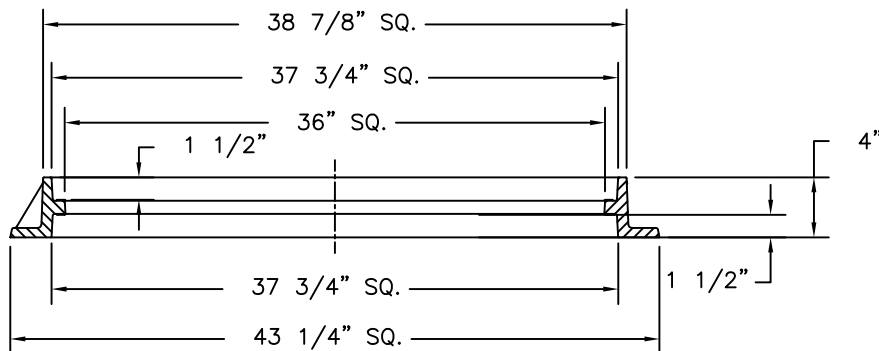
GRATE AND FRAME TOP VIEW



GRATE SECTION



GRATE SECTION



FRAME SECTION

NOTE: FRAME IS REVERSIBLE,
FOR BOTTOM FLANGE ORDER
NO. V-5636, FOR TOP FLANGE
ORDER NO. V-5836.

EJIW EAST JORDAN
IRON WORKS EST.1883

800-626-4653
www.ejiw.com
MADE IN USA

PRODUCT NUMBER

45636061

CATALOG NUMBER

V-5636 FRAME
V-5636 GRATE

**FRAME & GRATE
ASSEMBLY**

LOAD RATING

HEAVY DUTY

COATING

UNDIPPED

MATERIAL SPECIFICATION

FRAME - GRAY IRON
ASTM A48 CL35B

GRATE - GRAY IRON
ASTM A48 CL35B

OPEN AREA
N/A

√ DESIGNATES MACHINED
SURFACE

DRAWN TCL	DATE 03/08/04
--------------	------------------

LAST REVISED DEW	DATE 07/15/06
---------------------	------------------

REFERENCE INFORMATION

45636010
45636030