

PRODUCT NUMBER

**45622801**

CATALOG NUMBER

**V-5622 FR**

**V-5622-80 GR**

**CATCH BASIN  
ASSEMBLY**

LOAD RATING

**HEAVY DUTY**

COATING

**UNDIPPED**

MATERIAL SPECIFICATION

GRATE - GRAY IRON  
ASTM A48 CL35B

FRAME - GRAY IRON  
ASTM A48 CL35B

OPEN AREA

156sq.in. 1006sq.cm.

√ DESIGNATES MACHINED  
SURFACE

DRAWN

DEW

DATE

12/09/03

LAST REVISED

GAD

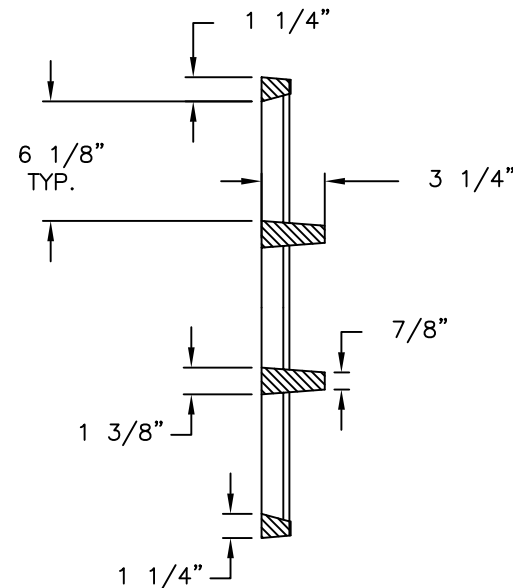
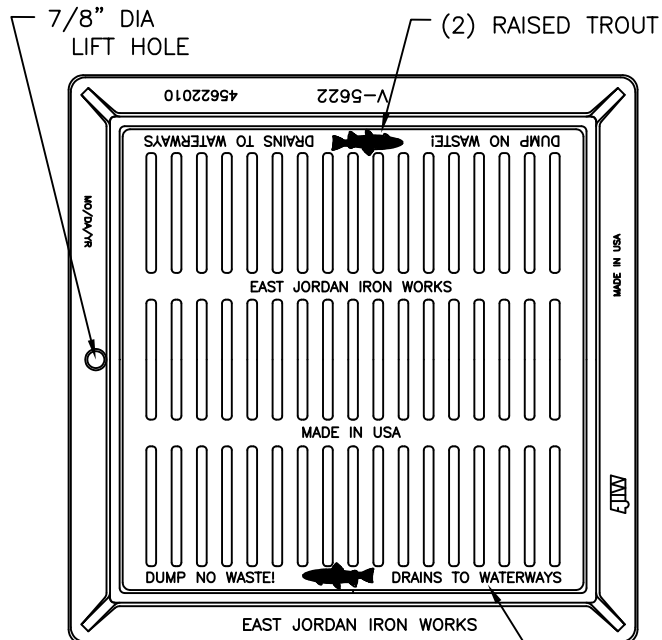
DATE

03/19/08

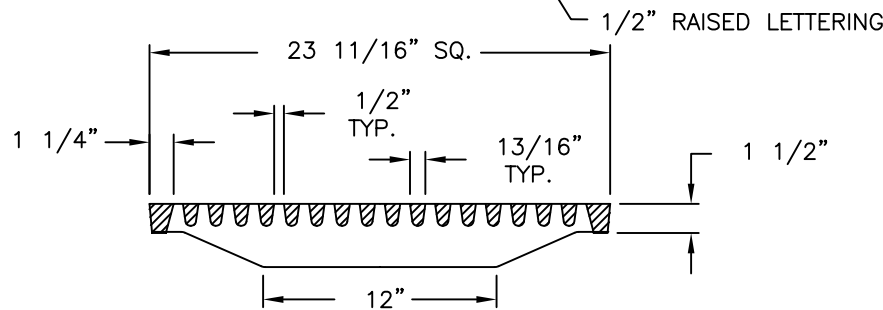
REFERENCE INFORMATION

45622010

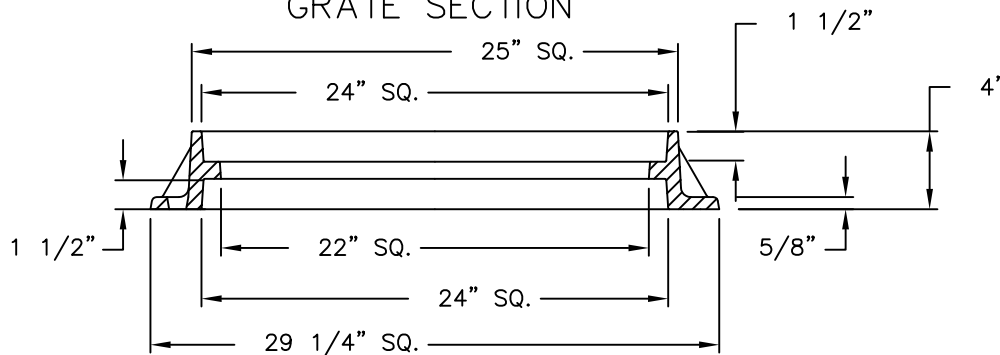
45622830



GRATE SECTION



GRATE SECTION



FRAME SECTION

NOTE:  
FRAME IS REVERSIBLE  
BOTTOM FLANGE V-5622  
TOP FLANGE V-5822

GRATE DESIGNED TO BE IN ACCORDANCE  
WITH ADA REQUIREMENTS (SECTION 4.5.4)