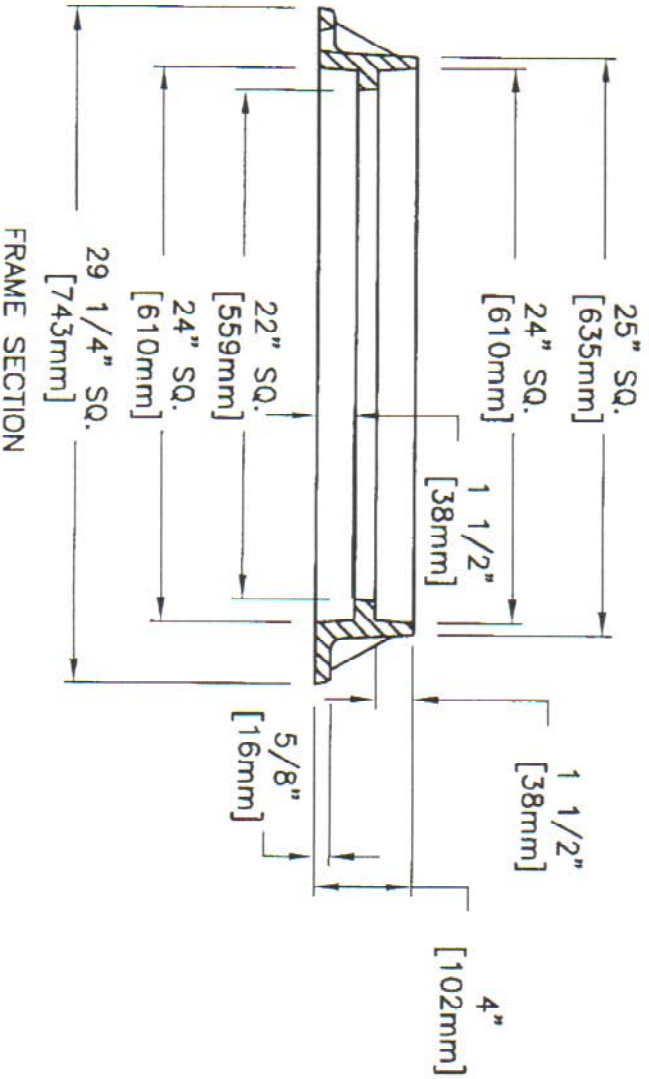


7/8" (22mm) DIA
LIFT HOLE

NOTE:
FRAME IS REVERSIBLE
BOTTOM FLANGE V-5622
TOP FLANGE V-5822



FRAME SECTION

**EAST JORDAN
IRON WORKS, INC.**
P.O. BOX 439
EAST JORDAN, MI. 49727
1-800-874-4100
FAX 231-536-4458

DRAWN	DATE
PFB	08/09/00
APPROVED	DATE

**CATCH BASIN
FRAME**

PRODUCT NO.
45622010
UNDIPPED

CATALOG NO.
V-5622

REF. PRODUCT DRAWING
45622010

EST. WT.

FRAME: 120 LBS 54kg

OPEN AREA

N/A

MAT'L SPEC.

FRAME - GRAY IRON
ASTM A48 CL35

LOAD RATING
HEAVY DUTY

PRODUCT NUMBER

45622030

CATALOG NUMBER

V5622

**CATCH BASIN
GRATE**

LOAD RATING

HEAVY DUTY

COATING

UNDIPPED

ESTIMATED WEIGHT

GRATE: 132 LBS 60kg

MATERIAL SPECIFICATION

GRATE - GRAY IRON
ASTM A48 CL35B

OPEN AREA

266 sq. in. 1716 sq. cm.

√ DESIGNATES MACHINED
SURFACE

DRAWN
TCL

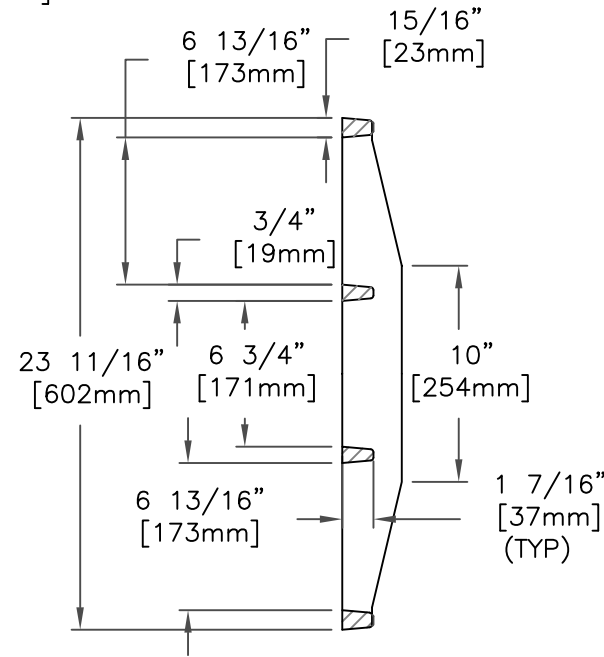
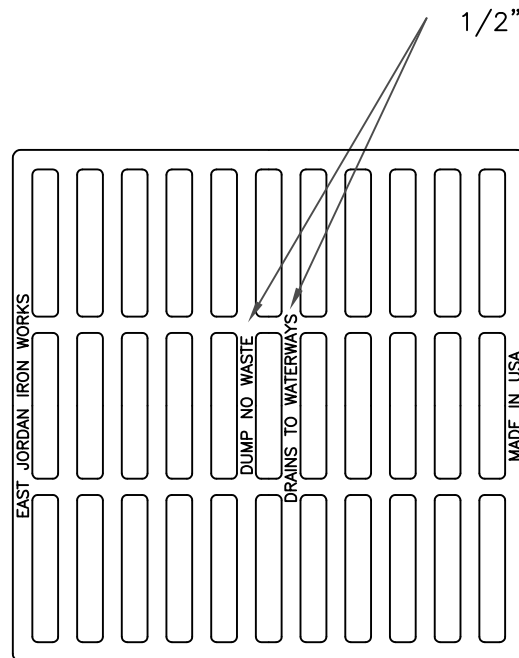
DATE
02/23/06

LAST REVISED
DEW

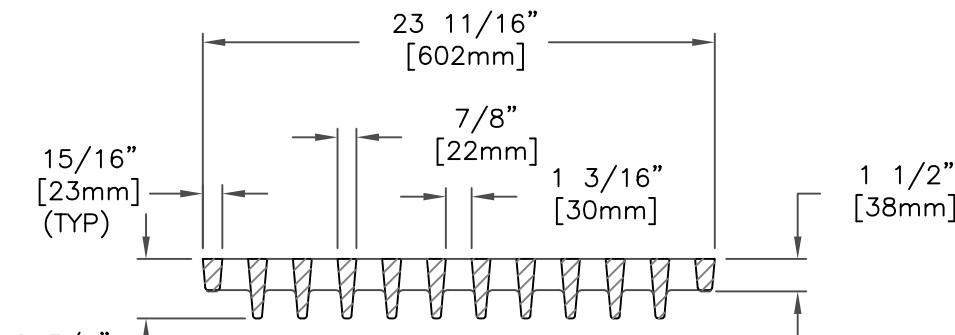
DATE
06/24/06

REFERENCE INFORMATION

45622031



GRATE SECTION



GRATE SECTION