

EAST JORDAN
IRON WORKS, INC.
P.O. BOX 439
EAST JORDAN, MI 49727
1-800-874-4100
FAX 231-536-4458

DRAWN JIJ	DATE 08/15/02
APPROVED	DATE

ADA GRATE

PRODUCT NO.
00535549
UNDIPPED

CATALOG NO.
5355M6

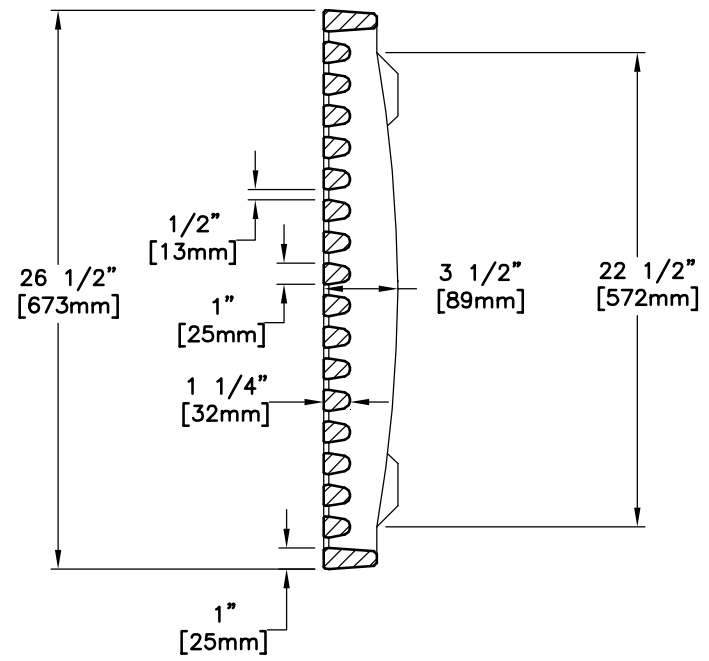
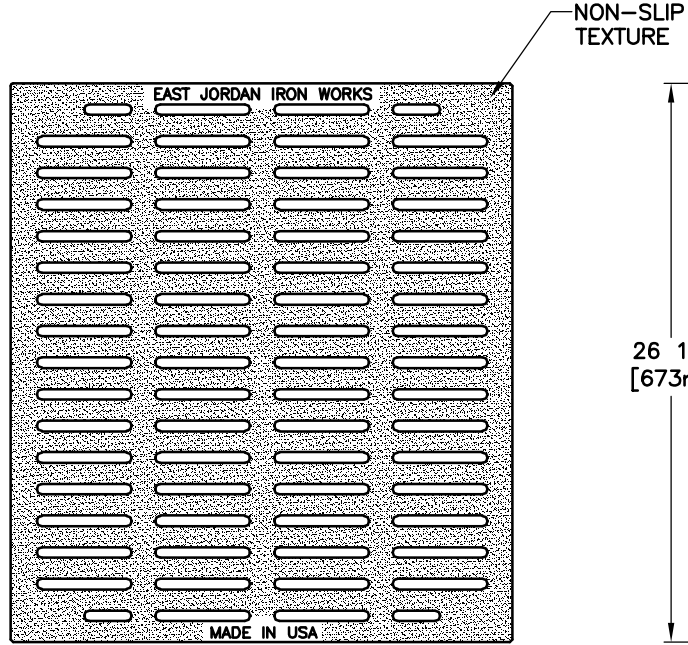
REF. PRODUCT DRAWING
535549

EST. WT.
GRATE: 185 LBS 84kg

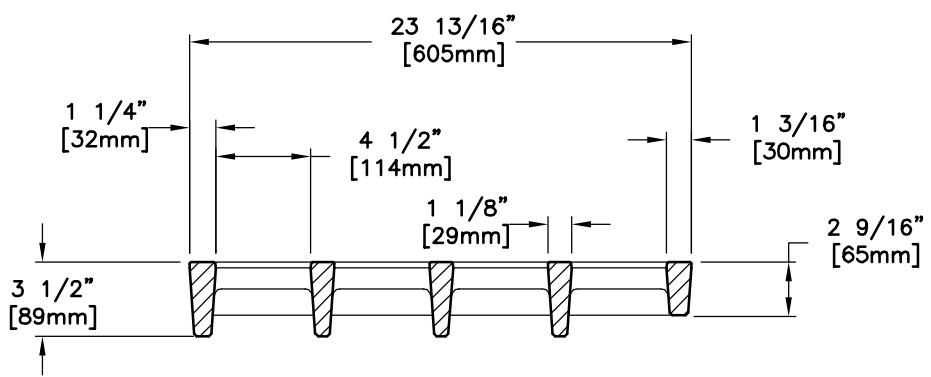
OPEN AREA
N/A

MAT'L SPEC.
GRATE - GRAY IRON
ASTM A48 CL35B

LOAD RATING
HEAVY DUTY
(HS-25)



SECTION OF GRATE



SECTION OF GRATE