

PRODUCT NUMBER

45622030

CATALOG NUMBER

V5622

**CATCH BASIN
GRATE**

LOAD RATING

HEAVY DUTY

COATING

UNDIPPED

ESTIMATED WEIGHT

GRATE: 132 LBS 60kg

MATERIAL SPECIFICATION

GRATE - GRAY IRON
ASTM A48 CL35B

OPEN AREA

266 sq. in. 1716 sq. cm.

√ DESIGNATES MACHINED
SURFACE

DRAWN

TCL

DATE

02/23/06

LAST REVISED

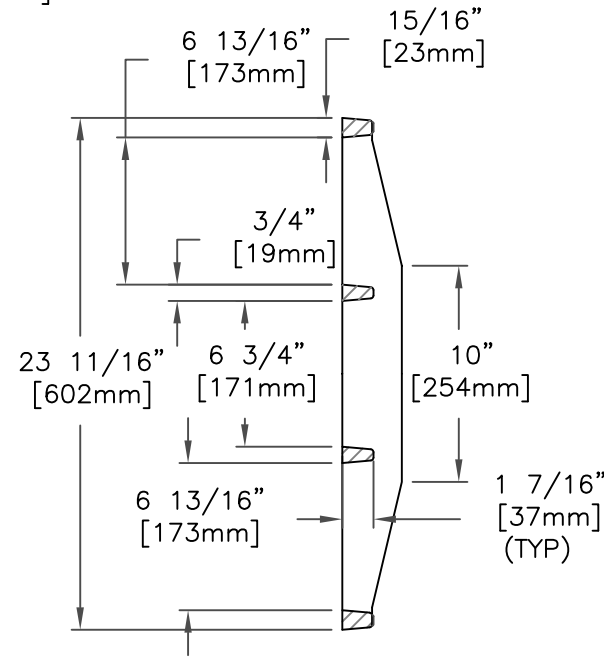
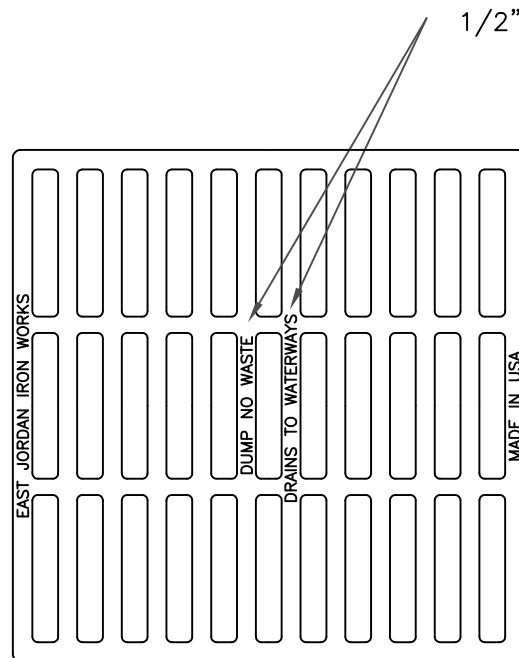
DEW

DATE

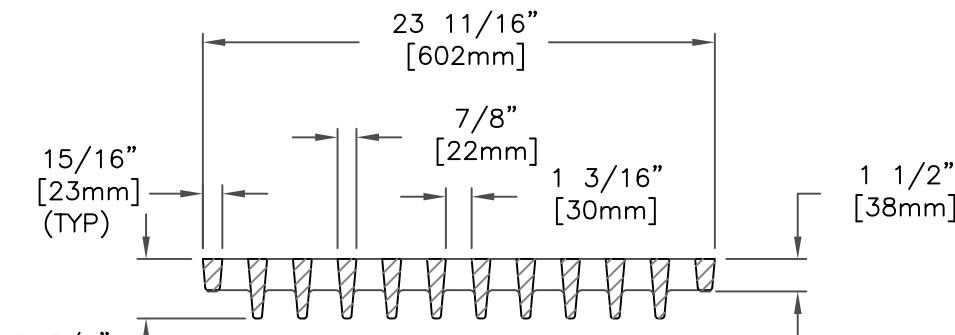
06/24/06

REFERENCE INFORMATION

45622031



GRATE SECTION



GRATE SECTION