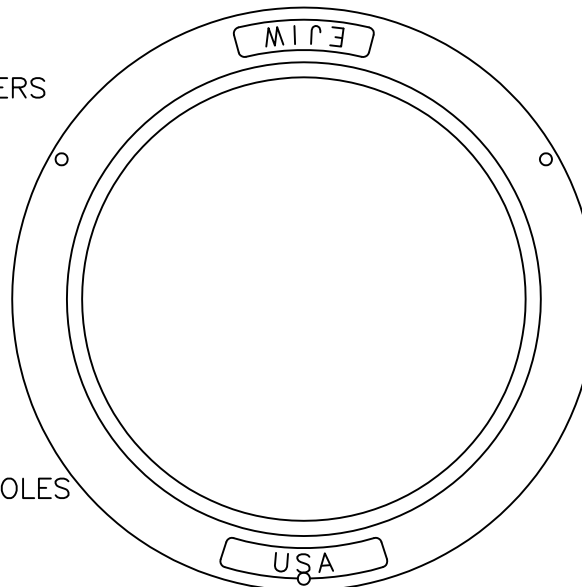
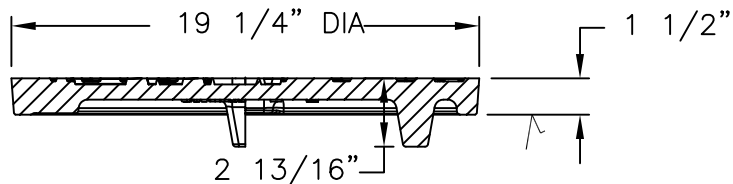


(2) 1/2-13 X 2"
HEX SS CAP SCREW
W./ 1/2" SS WASHERS



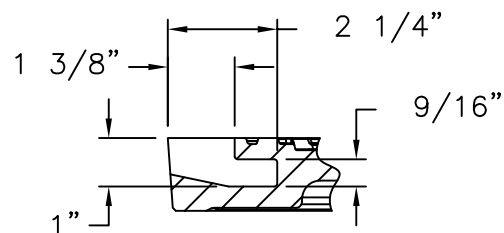
(2) CLOSED PICKHOLES

(3) 1/2" DIA HOLES
(DRILLED) ON 23" DIA
BOLT CIRCLE EQUALLY
SPACED 120° APART

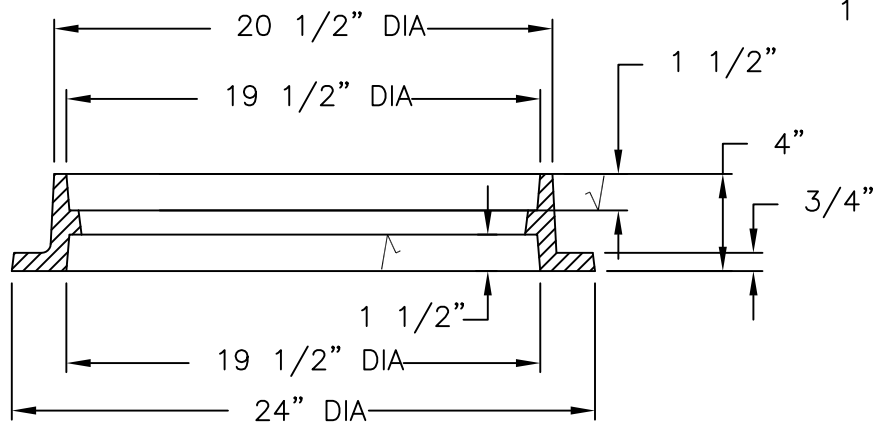


COVER SECTION

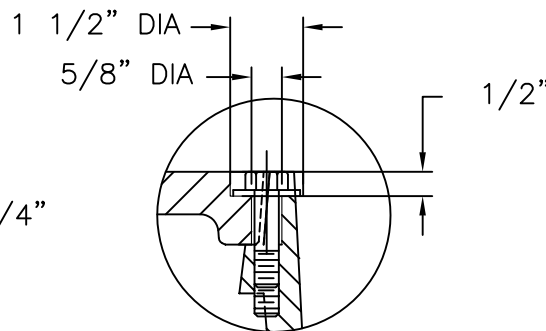
RING TOP FLANGE VIEW



PICKHOLE DETAIL



RING SECTION



BOLT DETAIL

NOTE: FRAME IS REVERSIBLE.
WHEN ORDERING, SPECIFY TOP FLANGE
V1800 OR BOTTOM FLANGE V1600

EJIW EAST JORDAN
IRON WORKS EST. 1883

800-626-4653
www.ejiw.com
MADE IN USA

PRODUCT NUMBER

41600103

CATALOG NUMBER

V1600-1

**MANHOLE
ASSEMBLY**

LOAD RATING
HEAVY DUTY

COATING
UNDIPPED

ESTIMATED WEIGHT

COVER: 74 LBS 34kg
FRAME: 71 LBS 32kg
UNIT: 145 LBS 66kg

MATERIAL SPECIFICATION

COVER - GRAY IRON
ASTM A48 CL35B
FRAME - GRAY IRON
ASTM A48 CL35B

OPEN AREA
N/A

√ DESIGNATES MACHINED
SURFACE

DRAWN DATE
DEW 07/30/08

LAST REVISED DATE

REFERENCE INFORMATION
41600110
41600120