

800-626-4653  
www.ejiw.com  
MADE IN USA

PRODUCT NUMBER  
**47383030**

CATALOG NUMBER  
**V-7383**

**PEDESTRIAN  
TRENCH GRATE**

LOAD RATING  
**HEAVY DUTY**

COATING  
**UNDIPPED**

MATERIAL SPECIFICATION  
COVER - GRAY IRON  
ASTM A48 CL35B

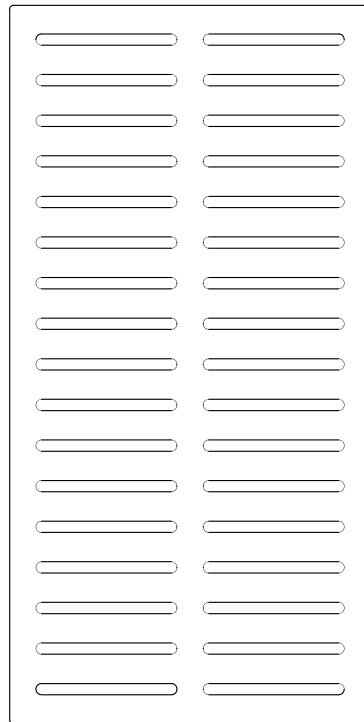
OPEN AREA  
58 SQ. IN. 374 SQ. CM

√ DESIGNATES MACHINED  
SURFACE

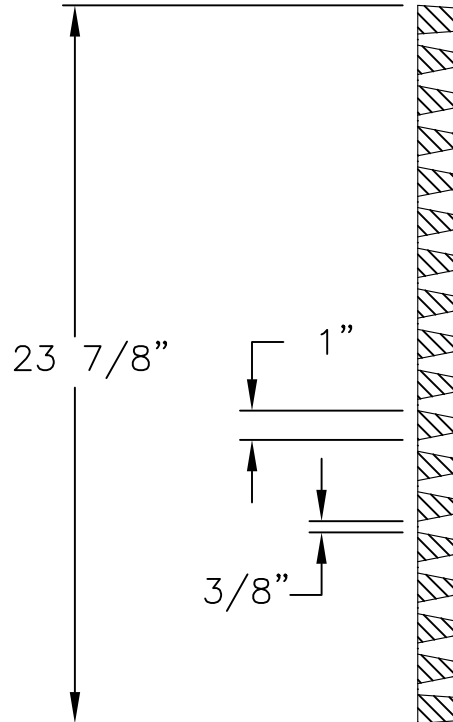
DRAWN DEW	DATE 06/25/04
--------------	------------------

LAST REVISED GAD	DATE 02/09/098
---------------------	-------------------

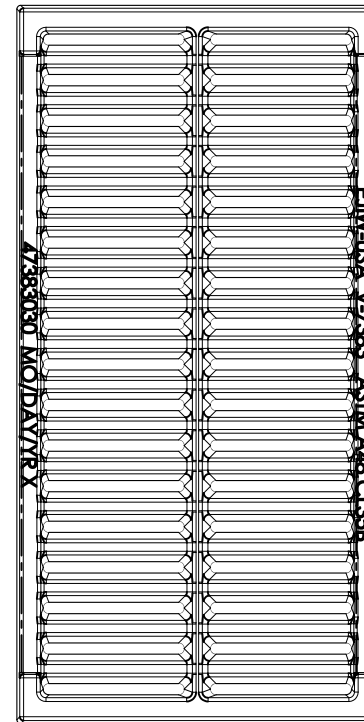
REFERENCE INFORMATION



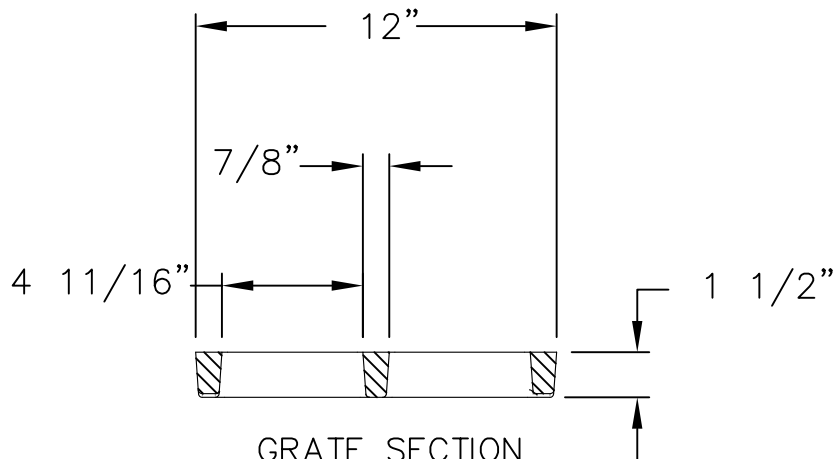
GRATE TOP VIEW



GRATE SECTION



BOTTOM VIEW



GRATE SECTION