

# 8201M 8301Z BF ASSEMBLY

PRODUCT NUMBER

**00820135B01**

## DESIGN FEATURES

### MATERIALS

GRATE-DUCTILE IRON  
ASTM A536  
FRAME-GRAY IRON  
ASTM A48 CL35B

### DESIGN LOAD

EXTRA HEAVY DUTY

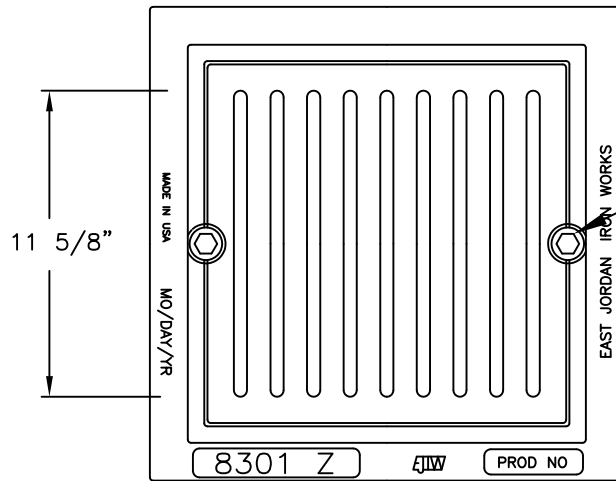
### COATING

DIPPED

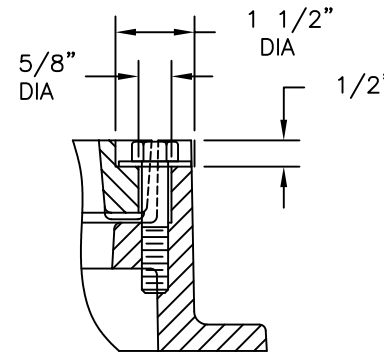
### OPEN AREA

50 SQ. INCHES

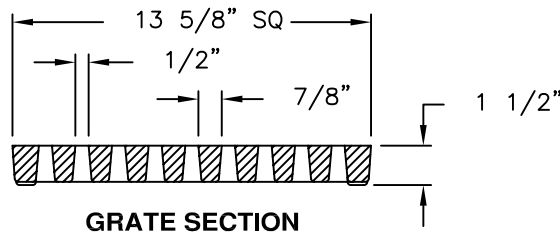
√ DESIGNATES MACHINE SURFACE



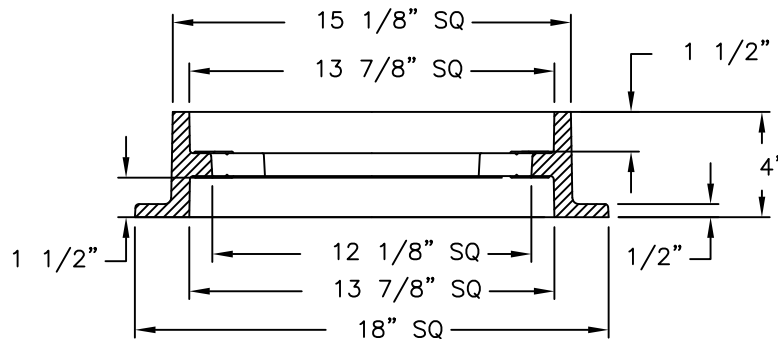
(2) 1/2-13  
HEX SS CAP SCREW  
W./ 1/2" ZINC PLTD  
WASHERS



**BOLT DETAIL**



**GRATE SECTION**



**FRAME SECTION**

Corporate  
Headquarters  
301 Spring Street  
PO Box 439  
East Jordan, MI  
49727-0439  
800.874.4100



Call Today for  
More Information

800.626.4653

**EJIW EAST JORDAN**  
IRON WORKS EST. 1883  
WE COVER YOUR INFRASTRUCTURE

www.ejiw.com  
MADE IN THE USA

- Weights (lbs./kg.) dimensions (inches/mm.), and drawings provided for your guidance.
- We reserve the right to modify specifications without prior notice.
- Uncontrolled distribution.

CONFIDENTIAL: This drawing is the property of East Jordan Iron works, Inc., and embodies confidential information, registered marks, trade secret information, and/or know how that is the property of East Jordan Iron Works, Inc. ©Copyright 2009 East Jordan Iron Works, Inc.

## REFERENCE INFORMATION

00820135  
00830111

## DRAWING DETAILS

ORIGINAL DRAWING: DEW 04/16/10

REVISED BY: