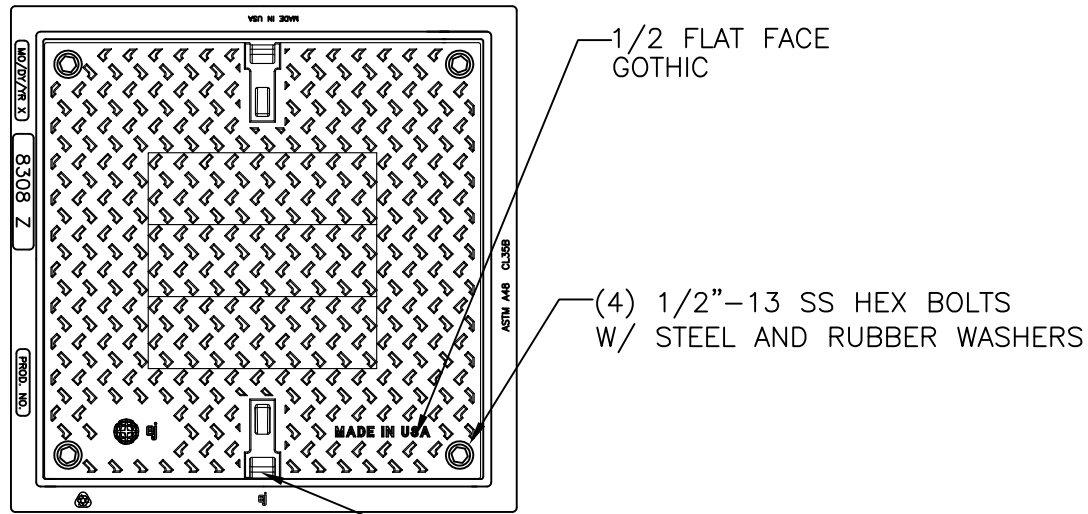
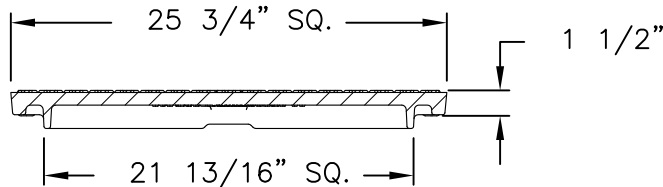


8308Z BF 8208A Assembly

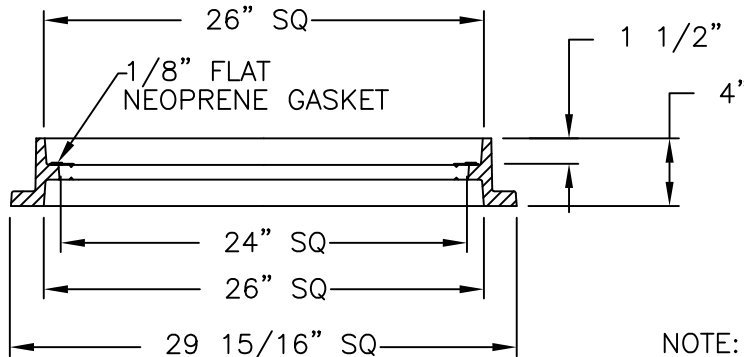


PLAN VIEW

EPIC® PICKBAR
2 PLACES



COVER SECTION



FRAME SECTION

NOTE: FRAME IS REVERSIBLE
AND CAN BE INSTALLED
AS A TOP FLANGE UNIT.

Product Number

00820820W01

Design Features

- Materials
 - Junction Box / Handhole Frame
 - Gray Iron (CL35B)
 - Cover
 - Gray Iron (CL35B)

- Design Load
 - Heavy Duty
- Open Area
 - n/a
- Coating
 - Dipped
- √ Designates Machined Surface

Certification

- ASTM A48
-
-
- Country of Origin: USA

Major Components

00830810
00820820

Drawing Revision

04/13/2011 Designer: DEF
08/16/2016 Revised By: DVD

Disclaimer

Weights (lbs./kg) dimensions (inches/mm) and drawings provided for your guidance. We reserve the right to modify specifications without prior notice.

CONFIDENTIAL: This drawing is the property of EJ GROUP, Inc., and embodies confidential information, registered marks, patents, trade secret information, and/or know how that is the property of EJ GROUP, Inc. Copyright © 2012 EJ GROUP, Inc. All rights reserved.

Contact

800 626 4653
ejco.com