

EAST JORDAN
IRON WORKS, INC.
P.O. BOX 439
EAST JORDAN, MI. 49727
1-800-874-4100
FAX 231-536-4458

DRAWN DEW	DATE 11/16/01
APPROVED	DATE

**RECTANGULAR
MANHOLE
FRAME**

PRODUCT NO.
00808313

CATALOG NO.
8083ZPT

REF. PRODUCT DRAWING
808313

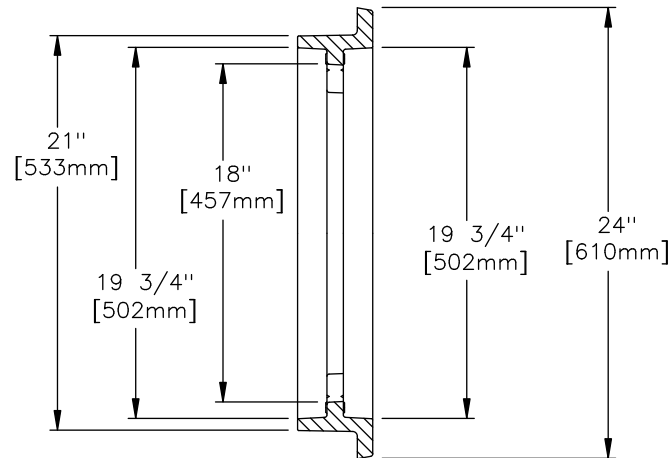
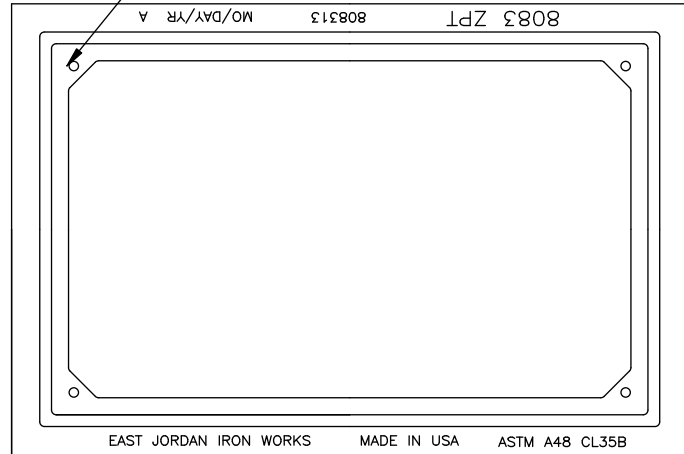
EST. WT.
FRAME: 130 LBS 59kg

OPEN AREA
N/A

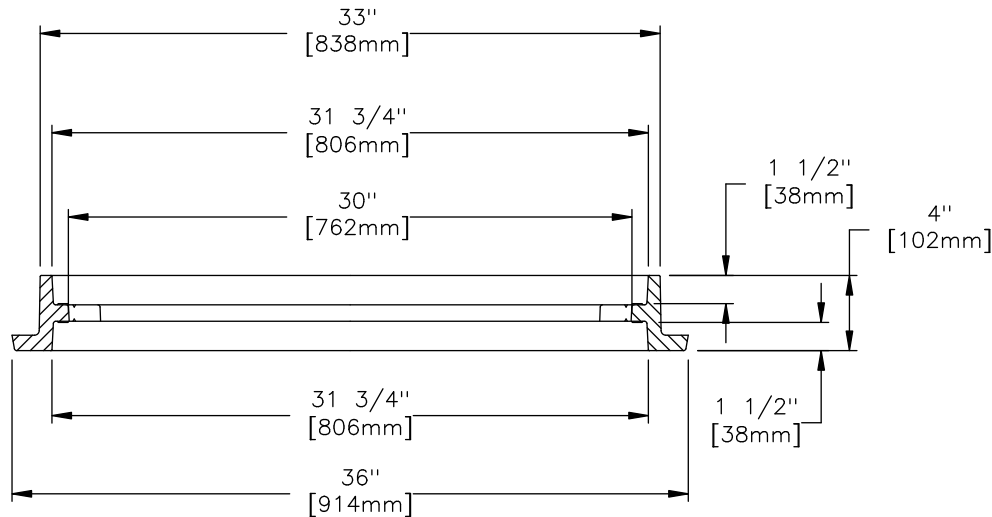
MAT'L SPEC.
FRAME - GRAY IRON
ASTM A48 CL35

LOAD RATING
**EXTRA HEAVY DUTY
(PROOF LOAD TESTED
TO 200,000 LBS.)**

(4) 1/2"-13 DRILLED & TAPPED
HOLES FOR BOLTING



FRAME SECTION



FRAME SECTION

NOTE: FRAME IS REVERSIBLE.