

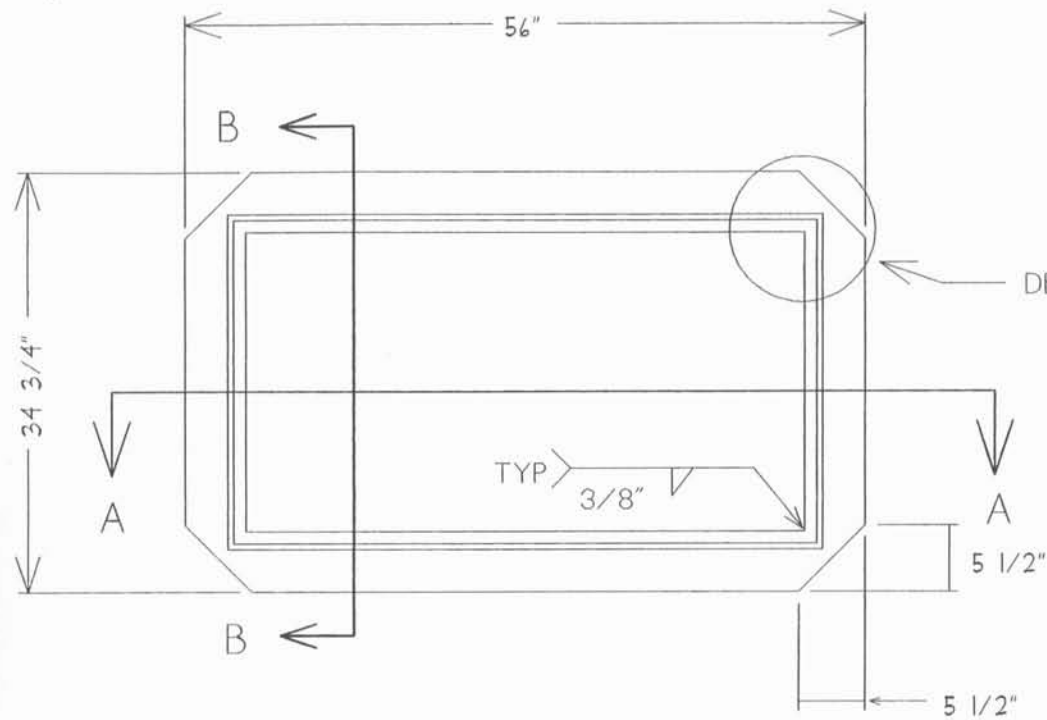
**NOTES**

1. PRECAST CONCRETE
2. CONCRETE- 4000psi, AIR ENTRAINED
3. WELDED WIRE FABRIC- ASTM A-185M- 4X4 D4&D4

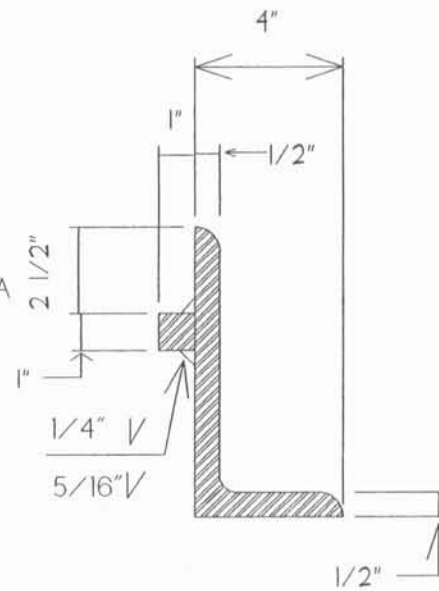
PROJECT:  
CONTR:  
DATE:

TITLE:  
City of Phila  
Highway Inlet

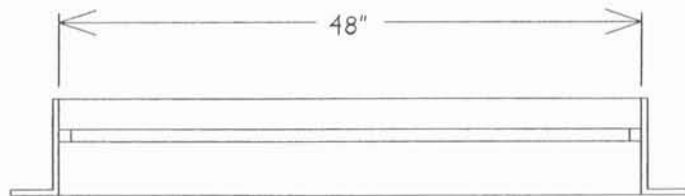
ALTO MARE PRECAST, INC.  
4300 Wissahickon Ave.  
Philadelphia, PA 19129  
Ph: 215-225-8800 Fax: 215-225-8900



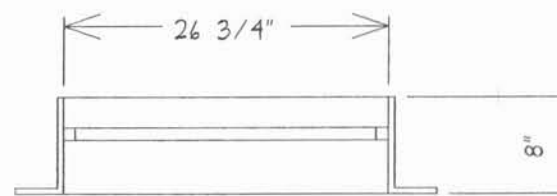
DETAIL A



DETAIL A



SECTION A-A



SECTION B-B

1. All material to be A 36 structural steel.
2. PA DOT approved.

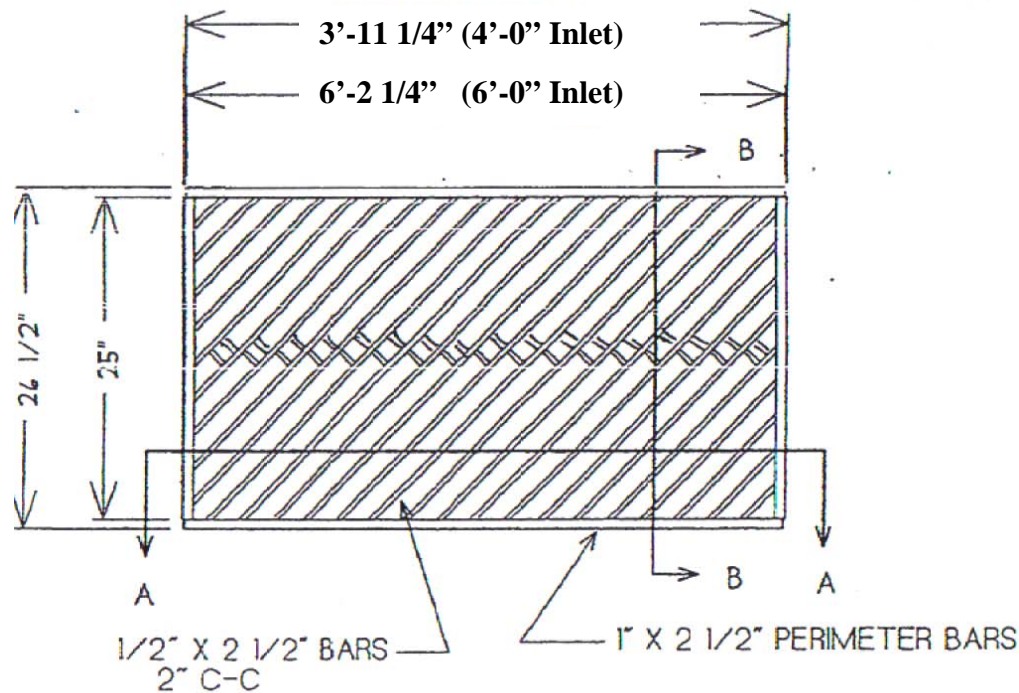
3. All welding is done by certified welders as per PA DOT form 409, section 1053.21.

REVISIONS	BY

**MORGAN'S WELDING**  
 1941 Camp Swatara Road  
 Myerstown, PA 17067  
 Phone - 717-933-5255

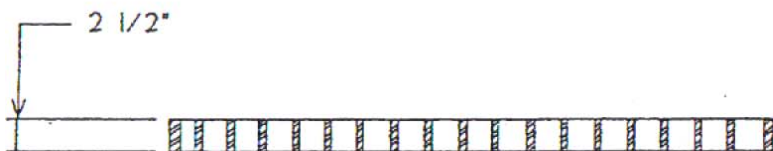
**TYPE M FRAME 8"**

DRAWN	CHECKED
TAB	
DATE	10/1/18
SCALE	
JOB NO.	
SHEET	1
OF 1 SHEETS	

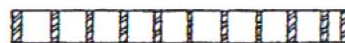


NOTES :

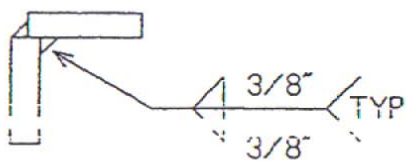
1. Structural steel grates coated with 1 coat of bituminous paint.
2. Tolerances shall be  $\pm 1/8"$
3. Structural steel to meet or exceed requirements of AASHTO-M183 or ASTM-A36 .
4. Grate spacers to be flush with top surface of grate .
5. All welding is done by certified welders as per PA DOT pub. 408, sec. 1105.03 .



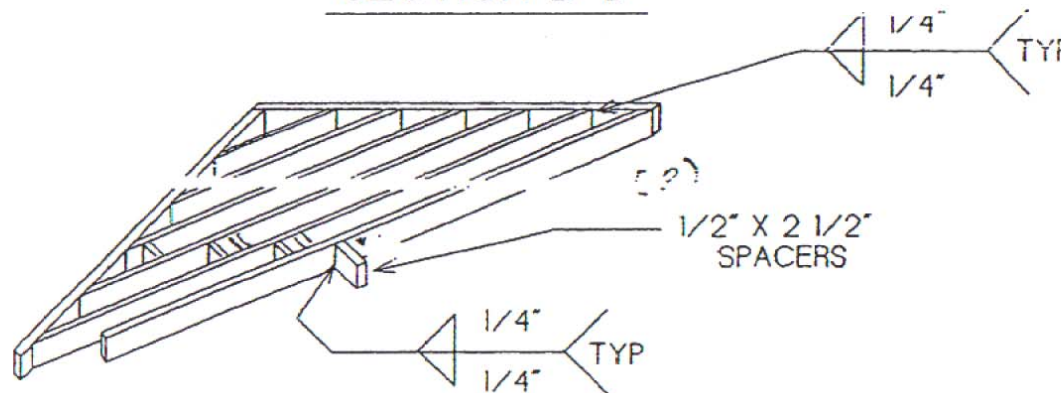
SECTION A-A



SECTION B-B



TYPICAL CORNER  
DETAIL



REVISIONS	BY

**MORGAN'S WELDING**  
1041 Camp Avenue Road  
Myerstown, PA 17067  
Phone - 717-833-5255

**DIAGONAL GRATE**

DRAWN :	CHECKED :
TAB :	
DATE :	DATE :
SCALE :	
JOB NO. :	
SHEET :	
	1
OF 1 SHEET	

EAST JORDAN  
IRON WORKS, INC.  
P.O. BOX 439  
EAST JORDAN, MI. 49727  
1-800-874-4100  
FAX 231-536-4458

DRAWN SBB	DATE 05/03/04
APPROVED	DATE

5980 TRAP &  
CLEANOUT DOOR

PRODUCT NO.  
**00598066**

CATALOG NO.  
5980

REF. PRODUCT DRAWING  
598066 598077

EST. WT.  
DOOR: 35 LBS 16kg  
FRAME: 450 LBS 204kg  
UNIT: 485 LBS 220kg

OPEN AREA  
N/A

MAT'L SPEC.  
DOOR - GRAY IRON  
ASTM A48 CL35  
TRAP - GRAY IRON  
ASTM A48 CL35

LOAD RATING

