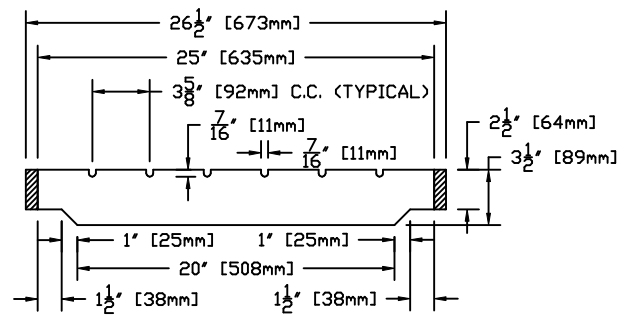


- NOTES:
- 1.) ALL BEARING BARS AND PERIMETER BARS SHALL BE ASTM A709 GR50 (A572) STEEL. ALL CROSS BARS SHALL BE ASTM A709 GR36 (A36) STEEL.
 - 2.) ALL CROSS BARS SHALL BE LOCATED FLUSH ALONG THE TOP SURFACE OF THE GRATE.
 - 3.) ALL WELDING SHALL BE IN CONFORMANCE WITH THE REQUIREMENTS OF PUBLICATION 408, SECTION 1105.03(c).
 - 4.) COAT GRATES WITH AN APPROVED BITUMINOUS PAINT, IN ACCORDANCE WITH PUBLICATION 408, SECTION 605.2(c).
 - 5.) AS AN ALTERNATE TO BITUMINOUS PAINT, GALVANIZE GRATES IN ACCORDANCE WITH PUBLICATION 408, SECTION 1105.02(s).

SECTION B - B

SECTION A - A



THIS DOCUMENT IS THE PROPRIETARY PROPERTY OF SYRACUSE CASTINGS. IT HAS BEEN FURNISHED UPON THE CONDITION THAT IT SHALL NOT BE RELEASED, DUPLICATED, USED, OR DISCLOSED IN WHOLE OR IN PART FOR ANY PURPOSE WITHOUT THE EXPRESS WRITTEN PERMISSION OF SYRACUSE CASTINGS AND SHALL BE CONSIDERED CONFIDENTIAL INFORMATION.

PENNSYLVANIA DOT STRUCTURAL STEEL
BIKE SAFE GRATE FOR 2' X 6' FRAME
CONFORMING TO RC-45M SHEET 8

DRAWING # 052610-DM			
FILE # PD2X6BK4			
Drawn By: DM	DATE: 05/26/10	Revised By:	Revised:

Syracuse Castings
Better By Design

P.O. Box 1821
6177 South Bay Rd.
Cicero, N.Y. 13039

Phone # 315-699-2601 Fax # 315-699-2982 www.syracast.com

EAST JORDAN
IRON WORKS, INC.
P.O. BOX 439
EAST JORDAN, MI. 49727
1-800-874-4100
FAX 231-536-4458

DRAWN SBB	DATE 05/03/04
APPROVED	DATE

5980 TRAP &
CLEANOUT DOOR

PRODUCT NO.
00598066

CATALOG NO.
5980

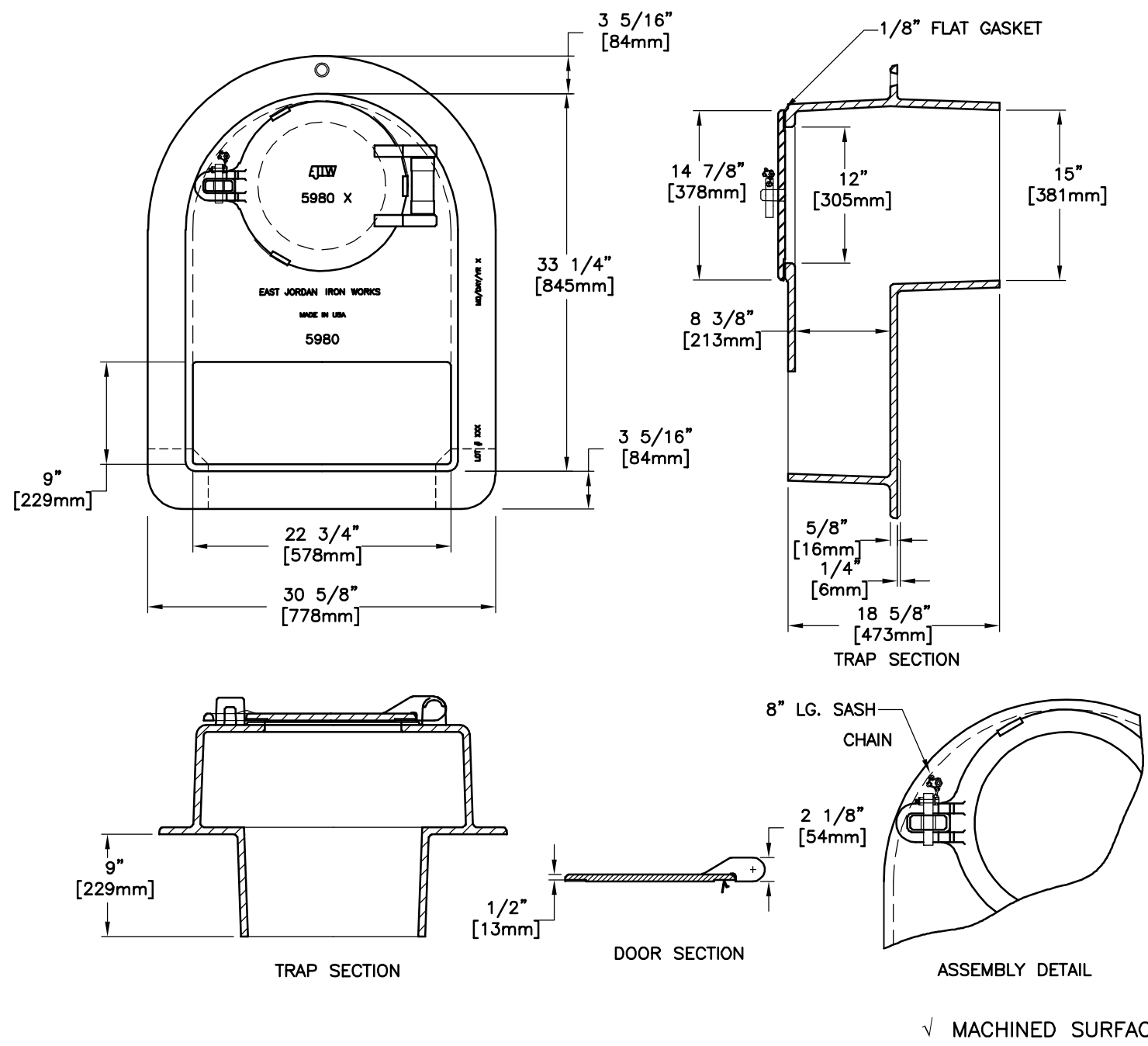
REF. PRODUCT DRAWING
598066 598077

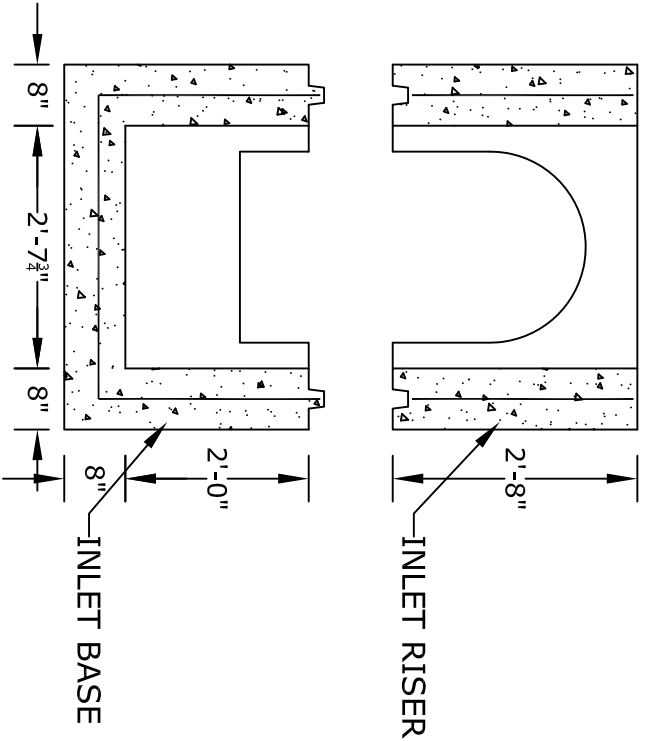
EST. WT.
DOOR: 35 LBS 16kg
FRAME: 450 LBS 204kg
UNIT: 485 LBS 220kg

OPEN AREA
N/A

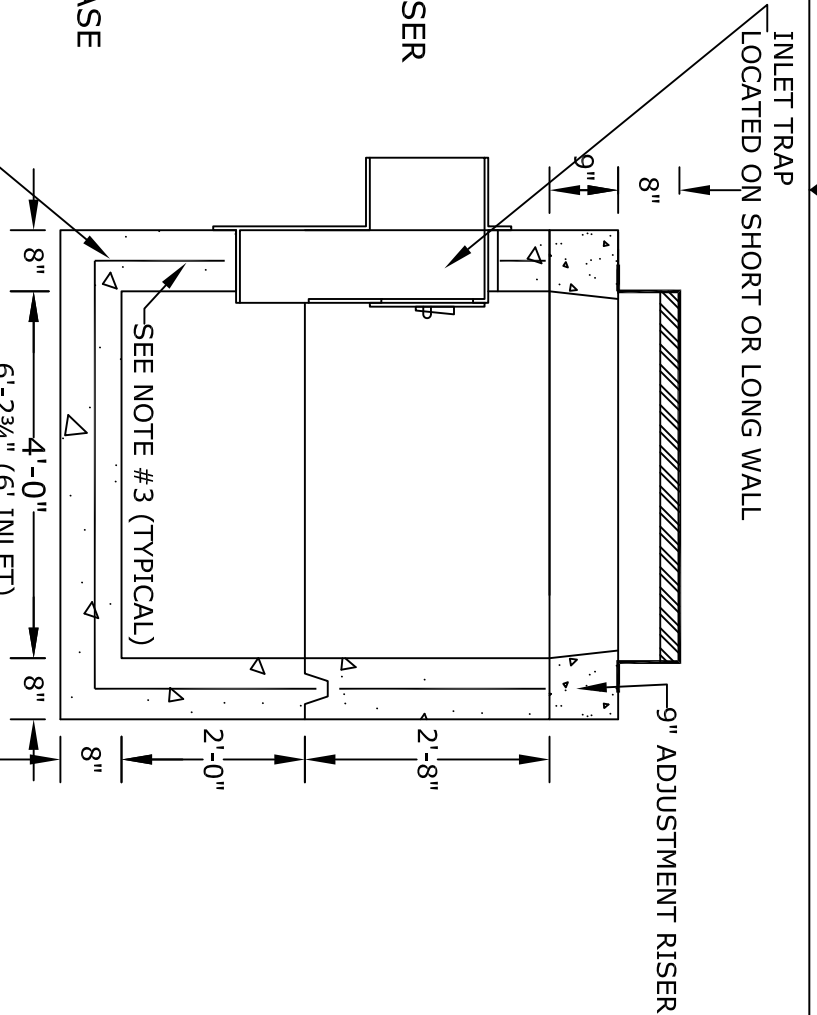
MAT'L SPEC.
DOOR - GRAY IRON
ASTM A48 CL35
TRAP - GRAY IRON
ASTM A48 CL35

LOAD RATING



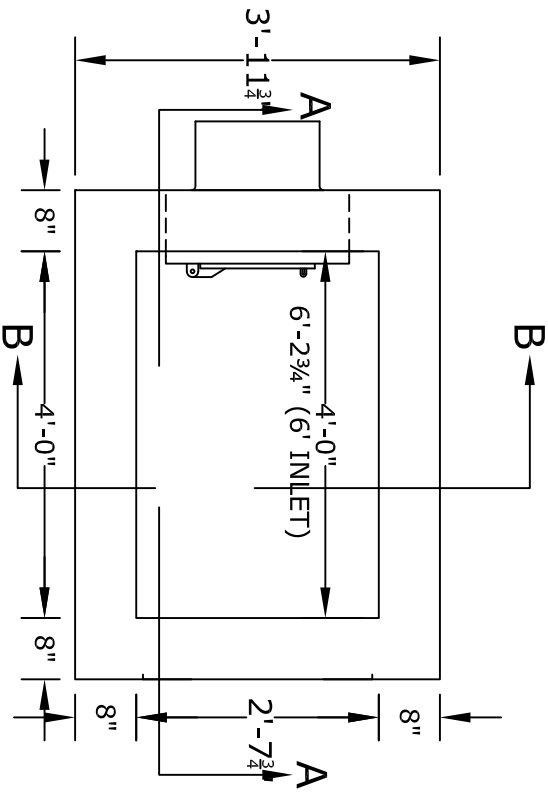


SECTION B-B



SECTION A-A

- NOTES**
1. PRECAST CONCRETE
 2. CONCRETE - 4000psi, AIR ENTRAINED
 3. WELDED WIRE FABRIC - ASTM A-185M - 4X4 D4&D4

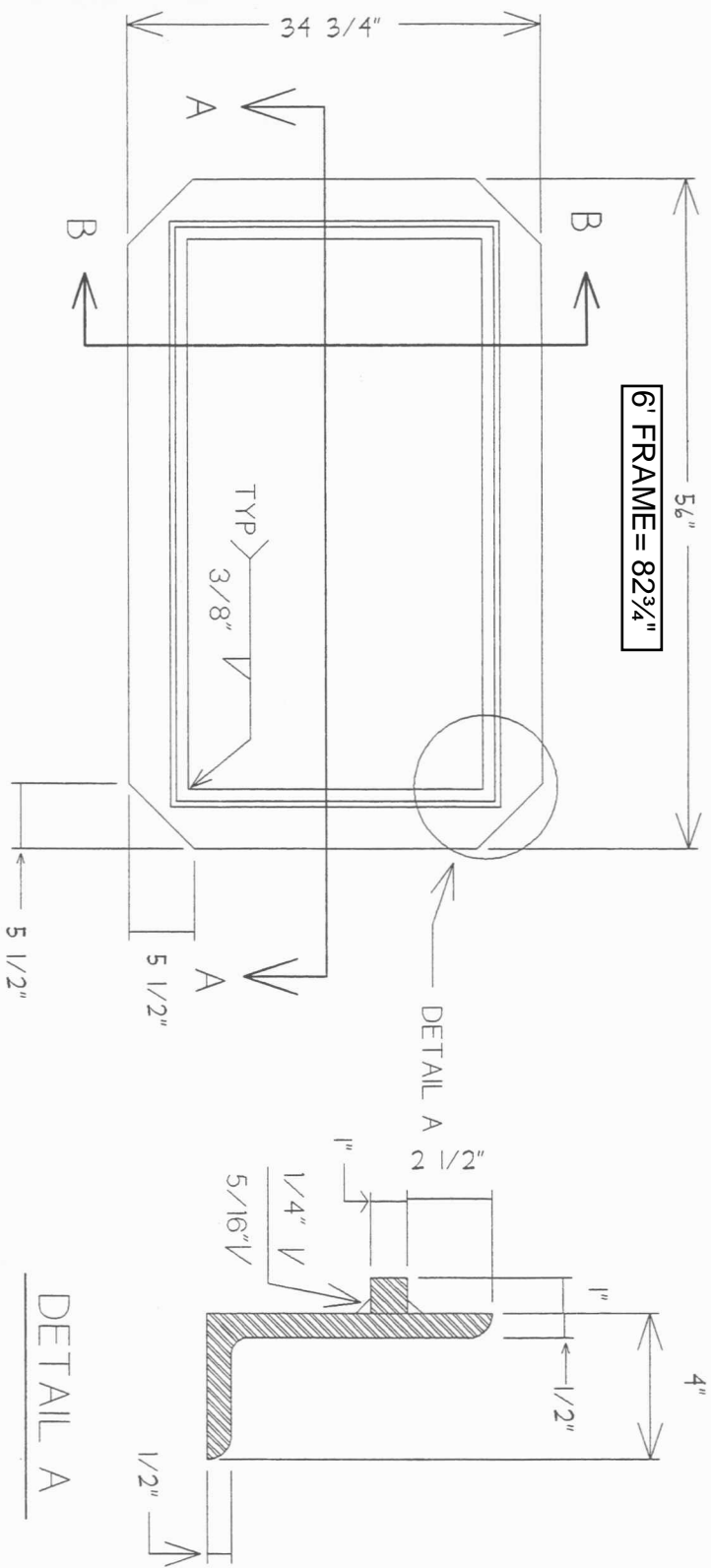


PLAN VIEW

ALTOMARE PRECAST, INC.
 4300 Wissahickon Ave.
 Philadelphia, PA 19129
 Ph: 215-225-8800 Fax: 215-225-8900

TITLE:
 City of Phila
 Highway Inlet

PROJECT:
CONTR:
DATE:



SECTION A-A

SECTION B-B

DETAIL A

1. All material to be A 36 structural steel.
2. PA DOT approved.
3. All welding is done by certified welders as per PA DOT form 409, section 1053.21.

DRAWN: TA8 CHECKED: TAA DATE: 02/1/15 SCALE: JOB NO.: SHEET: 1 OF 1 SHEETS	TYPE M FRAME 8"	MORGAN'S WELDING 1941 Camp Swatara Road Myerstown, PA 17067 Phone - 717-933-5255	REVISIONS BY DATE
---	------------------------	--	-------------------------

6' HIGHWAY FRAME