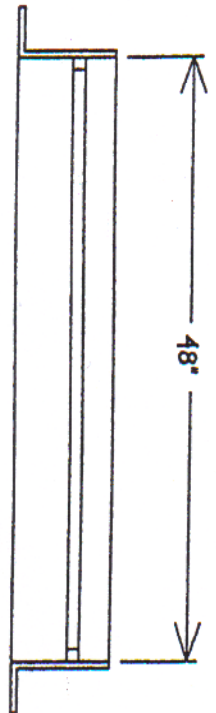
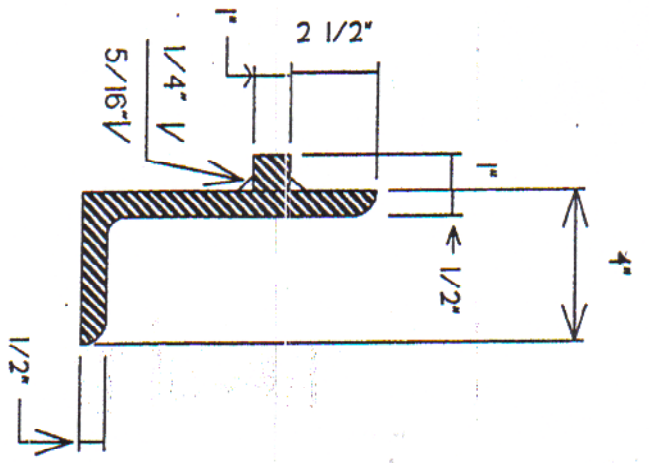
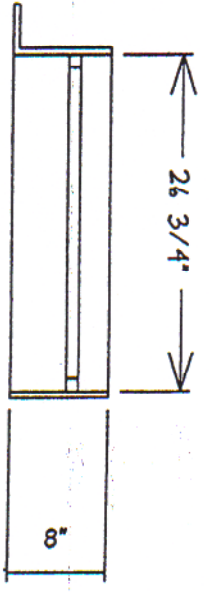


DETAIL A



SECTION A-A



SECTION B-B

1. All material to be A 36 structural steel.
2. PA DOT approved.

3. All welding is done by certified welders as per PA DOT form 409, section 1053.21.

<p>TYPE ALTERNATE FRAME 8"</p> <p>4'-0" Open Mouth Grate Inlet</p>		<p>MORGAN'S WELDING</p> <p>1941 Camp Swatara Road Myerstown, PA 17057 Phone - 717-933-5255</p>		<p>DATE</p> <p>BY</p> <p>CHECKED</p> <p>APPROVED</p>
--	--	--	--	--